

MSG30-5512-M1/UK

Visit our homepage
for additional support
parker.com/pmde

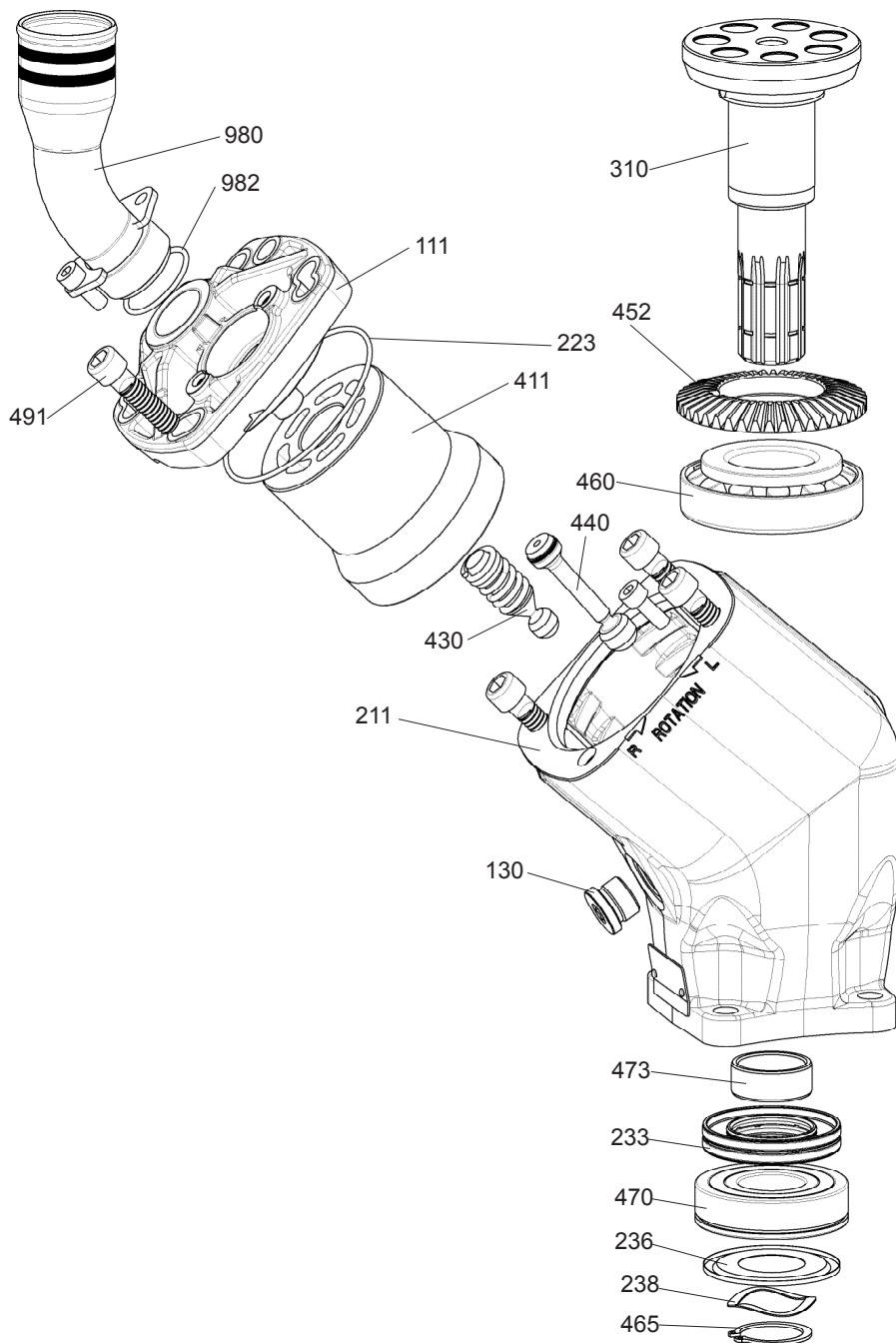
Spare Parts Series F1/T1/BPV

Effective: July 01, 2021

Supersedes: December, 2016



ENGINEERING YOUR SUCCESS.



Pos	Part No.	Description	Qty.	Remarks
111		End Cap	1	Spare Part Kit
130		Hex Socket Plug	1	Seal Kit / Hex Socket Plug Assy G1/2
211		Bearing Housing	1	No Spare Part
223		O-ring	1	Seal Kit + Mounting Kit O-ring 98*2.5 V80
233		Shaft Seal	1	Seal Kit + Mounting Kit
236		Protective Washer	1	Mounting Kit
238		Waved Spring Washer	1	Mounting Kit
310		Shaft	1	No Spare Part
411		Cylinder Barrel	1	Spare Part Kit
430		Barrel Support	1	Spare Part Kit
440		Piston	X	Spare Part Kit / 5 pcs (25-61) or 7 pcs (81,101,121)
452		Ring Gear	1	No Spare Part
460		Tapered Roller Bearing	1	No Spare Part
465		Retaining Ring	1	Seal Kit + Mounting Kit
470		Roller Bearing	1	Spare Part Kit
473		Inner Ring	1	Spare Part Kit
491		Hex Socket Screw	4	Spare Part Kit / M12*45 10.9
980		Suction Fitting	1	See Product Catalog MSG30-8200/UK
982		O-ring	1	Spare Part Kit / O-ring 39.34*2.62 V80

Seal Kit

Serial No. from 2000200001.

F1/T1 Pump Seal Kit

Size-25, -41, -51, -61, -81, -101, T1-81, -121
Items included in the pump seal kit for double shaft seal.
130, 223, 233, 236, 238, 465, 470, 473, 982.

Part No.

3780862

F1 Motor Seal Kit

Size-25, -41, -51, -61, -81, -101, -121
Items included in the motor seal kit for double shaft seal.
223, 233, 236, 238, 465, 470, 473, 982.

Part No.

3786997

Spare Part Kit

(Pump with standard connection for suction fitting)

Items included in the Spare Part Kits for the 5 & 7-piston version.
111, 130, 223, 233, 411, 430, 440, 470, 473, 491 982.

Unit

F1-25

F1-41

F1-51

F1-61

F1-81

F1-101

T1-81

T1-121

Part No.

3781844

3781845

3781846

3781847

3781848

3781849

3782807

3782808

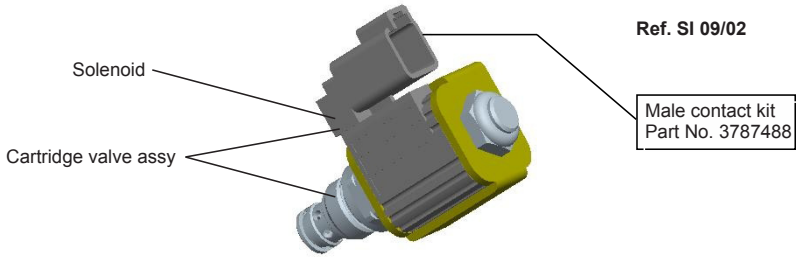
Disassembling/Reassembling Tool

Part No. 3780917

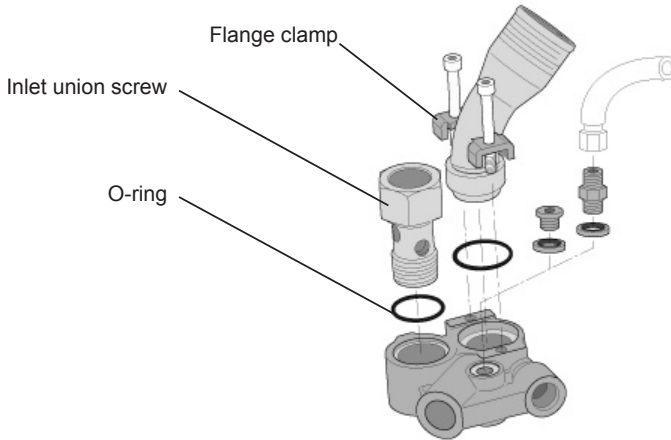
Mounting Kit for pump used together with cardan shaft

236, 238, 465

Part No. 3781725



Part No.	Description	Remarks
3787496	Solenoid 24 V	Incl. new connector
3787497	Solenoid 12 V	Incl. new connector
3787494	Cartridge valve assy 24 V	
3787495	Cartridge valve assy 12 V	
3785948	Nut for cartridge valve	



Part No.	Description	Remarks
3781480	Inlet union screw	F2 (all sizes)
3781082	Inlet union screw	F1-25, -41, -51, -61
3781094	Inlet union screw	F1-81, -101
3780641	O-ring kit	For both F1 and F2 (all sizes)
3782439	Flange clamp kit	For BPV F1 and F2