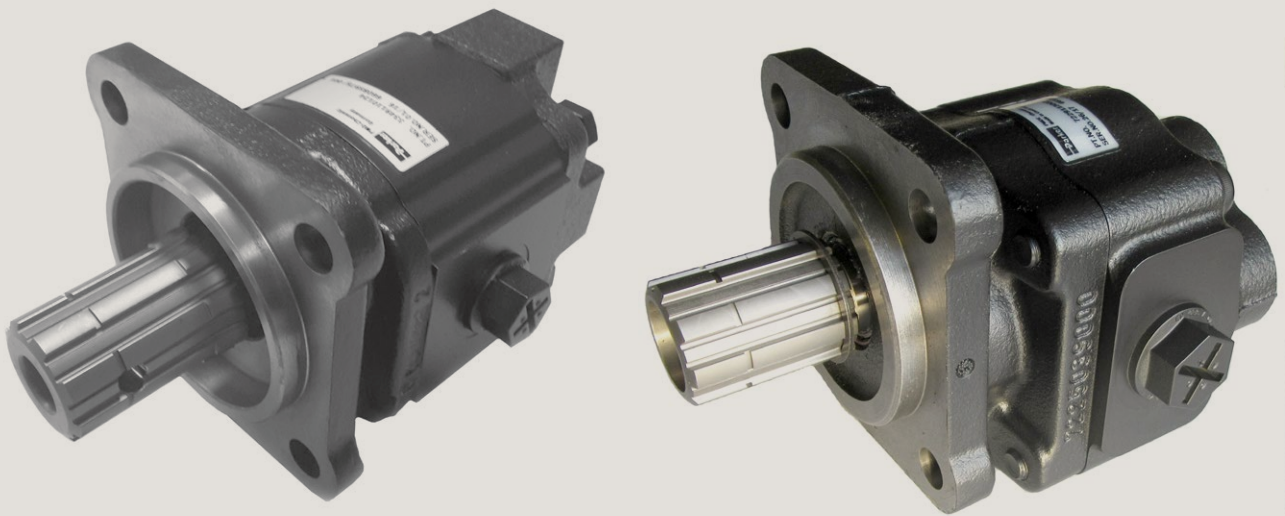


GPA and GP1 Pumps



Contents.....	Page
Pump and Line selection.....	12
Specifications.....	17
Installation Dimensions.....	18 – 20
Ordering Information/Ordering code.	21
Suction fittings.....	56
Installation and start up.....	73

GPA and GP1

Specifications

Series GPA (aluminum body; 4-bolt)

Frame size GPA*	008	011	014	016	019
Displacement [cm ³ /rev]	8	11	14	16	19
Max pressure [bar]	250				
Speed [rpm] (at max pressure) min	500	500	500	500	500
	max	2000	2000	2000	1750
Weight [kg]	4.9	5.05	5.2	5.3	5.4

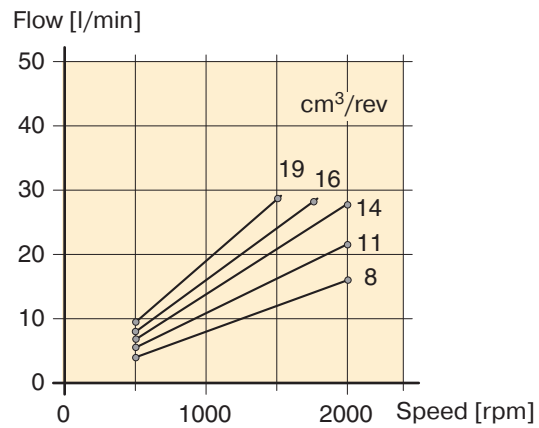
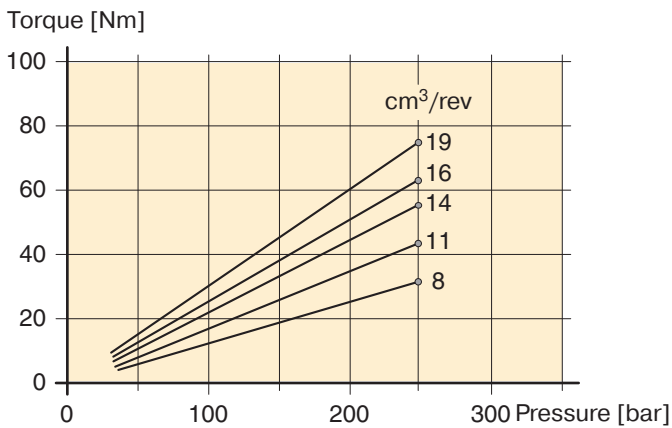
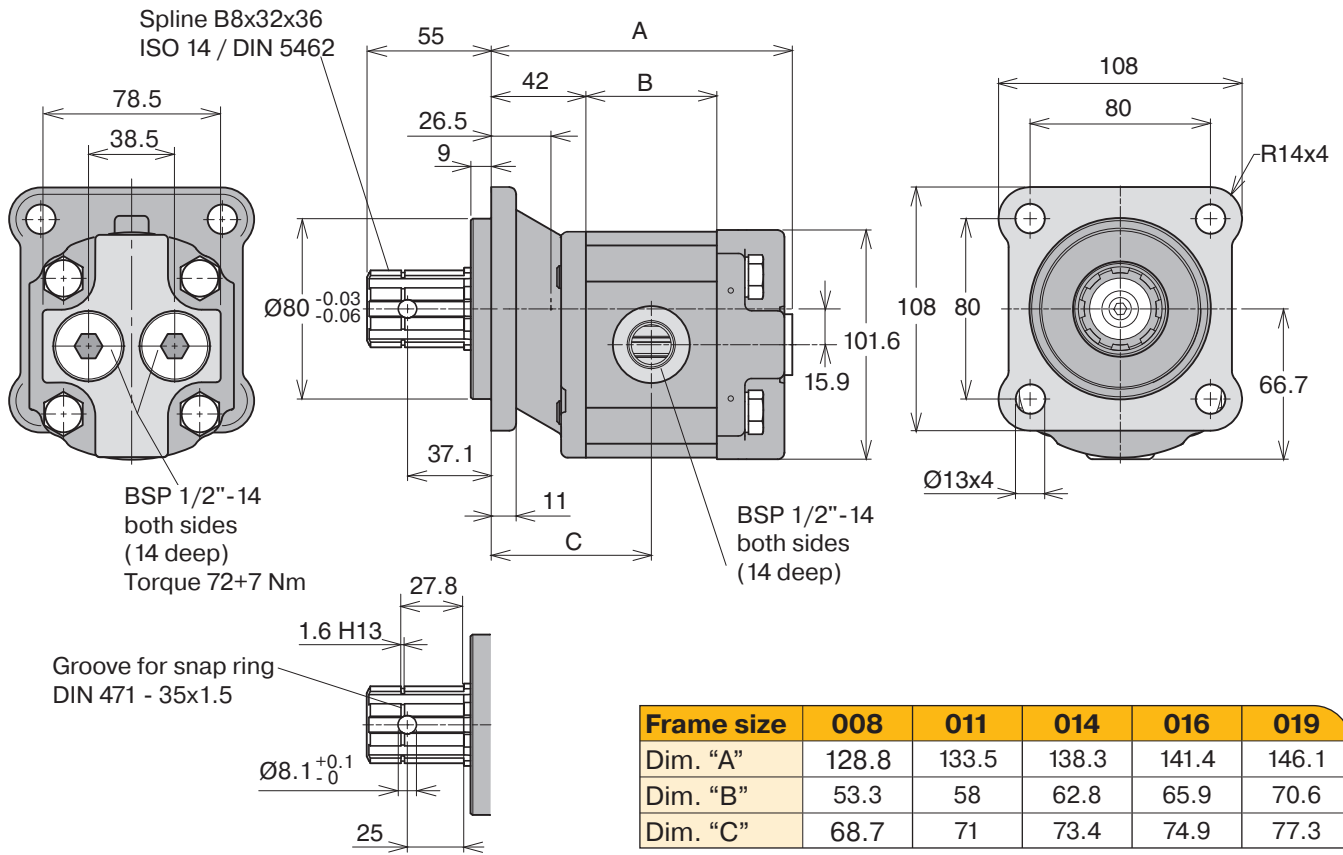
* Multi-section GPA pumps available on request.

Series GP1 (cast iron body; 4-bolt)

Frame size GP1*	023	029	041	046	060	080
Displacement [cm ³ /rev]	23	29	41	46	60	80
Max pressure [bar]	250	250	220	210	250	210
Speed [rpm] min	500	500	500	500	500	500
	max	2000	2000	2000	2000	1800
Weight [kg]	7.3	7.7	8.5	8.8	13.5	14.0

* Multi-section with GPA pumps available on request.

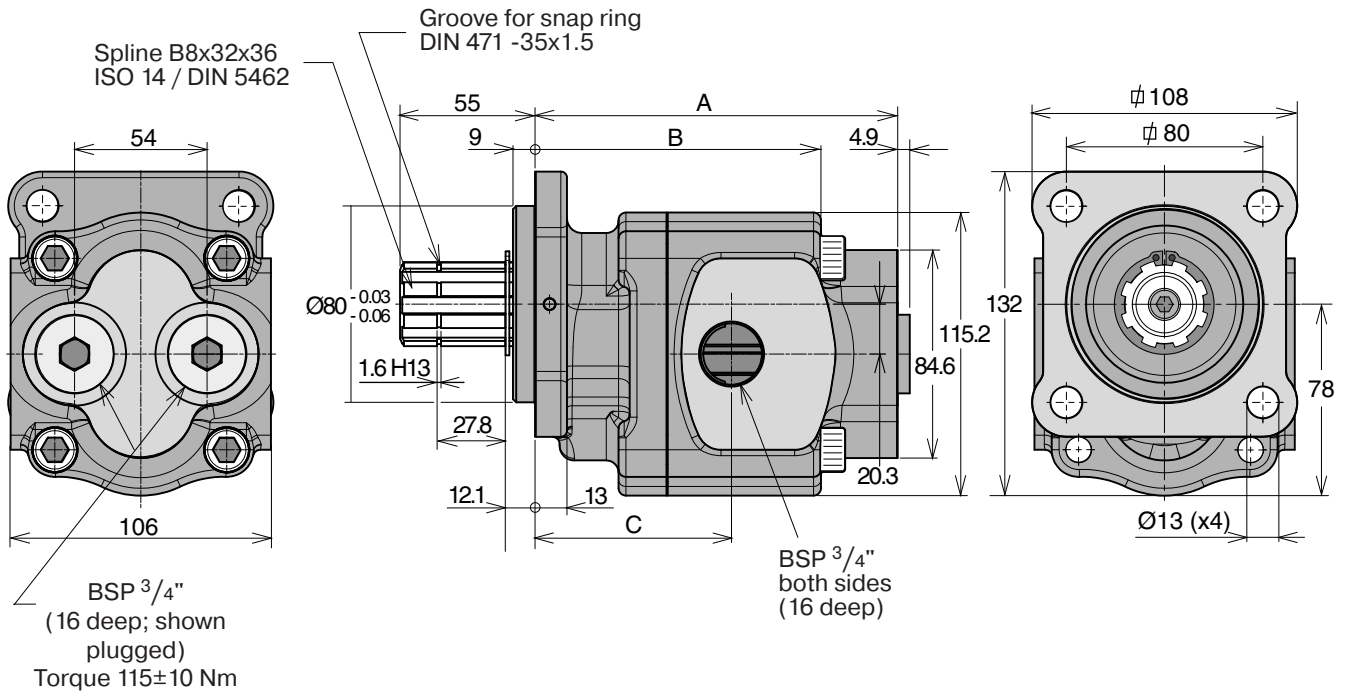
GPA-008/-011/-014/-016/-019 4-bolt



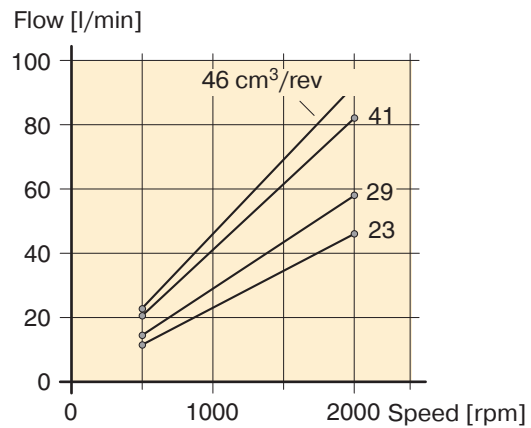
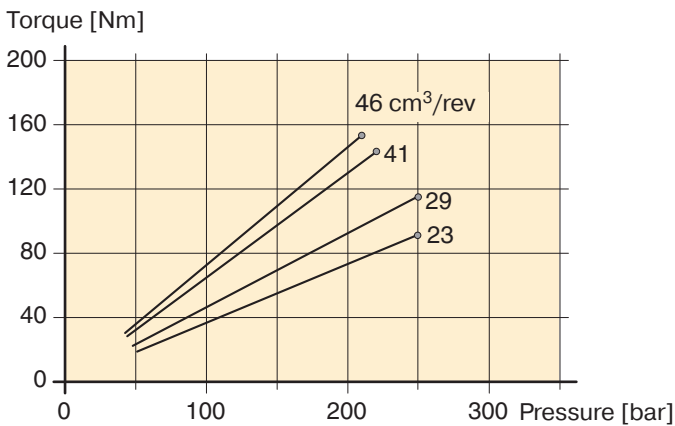
Diagrams reflect theoretical values

- Direction of rotation: Bi-directional
- Input pressure: 0.8 to 2.0 bar (absolute)
- Fluid temperature: -15 °C to +80 °C
- Range of operating viscosity: 8 to 1000 mm^2/s (cSt)

● **GP1-023/-029/-041/-046 4-bolt**



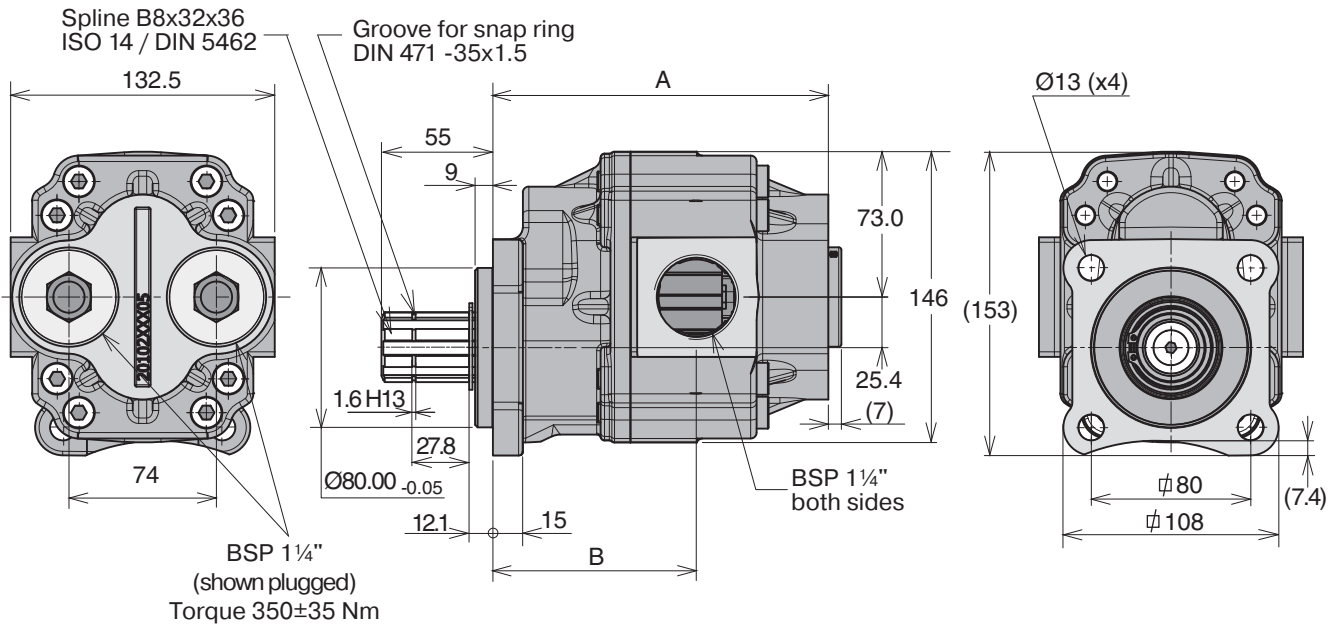
Frame size	023	029	041	046
Dim. "A"	128.5	134.3	147.7	153.2
Dim. "B"	97.3	103.3	116.4	121.9
Dim. "C"	77.1	76.0	80.0	84.8



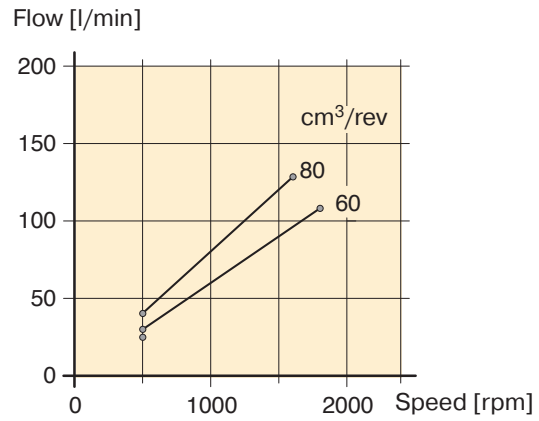
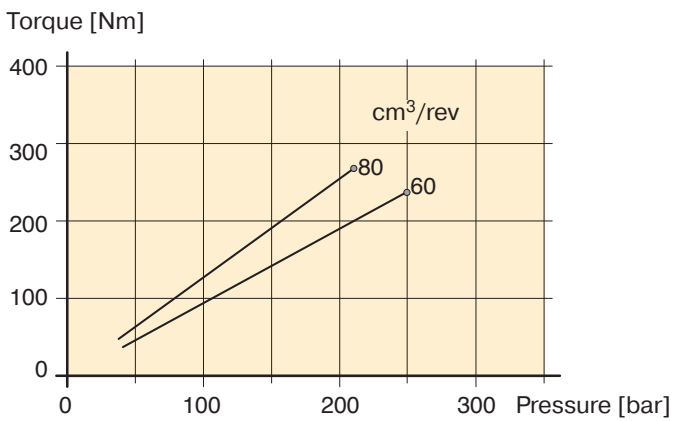
Diagrams reflect theoretical values

- Direction of rotation: Bi-directional
- Input pressure: 0.8 to 2.0 bar (absolute)
- Fluid temperature: -15 °C to +80 °C
- Range of operating viscosity: 8 to 1000 mm²/s (cSt)

GP1-060/-080 4-bolt



Frame size	060	080
Dim. "A"	168.3	186.5
Dim. "B"	102	108



Diagrams reflect theoretical values

- Direction of rotation: Bi-directional
- Input pressure: 0.8 to 2.0 bar (absolute)
- Fluid temperature: -15 °C to +80 °C
- Range of operating viscosity: 8 to 1000 mm²/s (cSt)

Ordering code

Example:

GPA- 008 - 4

- A** Aluminium body
1 Cast iron body

Frame size

A = 008, 011, 014, 016 or 019

1 = 023, 029, 041, 046, 060 or 080

- 4** 4 bolt flange

NOTE: The pump **does not** include a suction fitting; it must be ordered separately. See page 57 ff.

Standard versions

Aluminium 4 bolt

Designation	Ordering no.
GPA-008-4	334 9113 940
GPA-011-4	334 9113 941
GPA-014-4	334 9113 942
GPA-016-4	334 9113 943
GPA-019-4	334 9113 944

Cast iron 4 bolt

Designation	Ordering no.
GP1-023-4	722 9113 005
GP1-029-4	722 9113 006
GP1-041-4	722 9113 007
GP1-046-4	722 9113 008
GP1-060-4	704 9113 942
GP1-080-4	704 9113 944

Sealkits for GPA and GP1

Designation	Ordering no.
Seal kit GPA 8-19 CC	391 1842 645
Seal kit GP1 23-46 CC	391 1842 636
Seal kit GP1 60-80 CC	391 1832 690