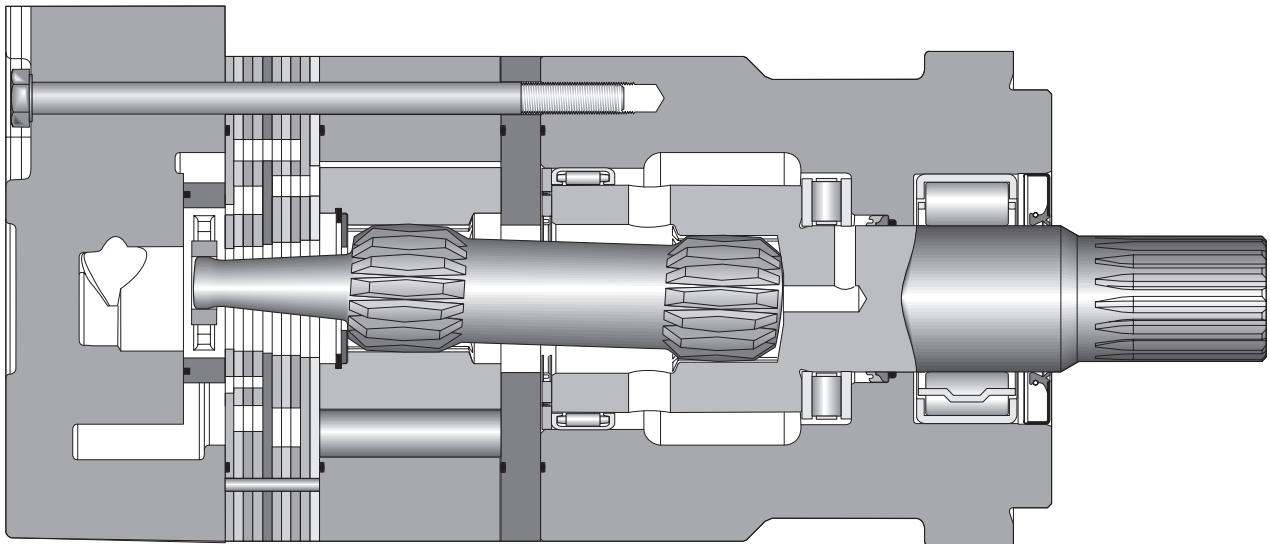
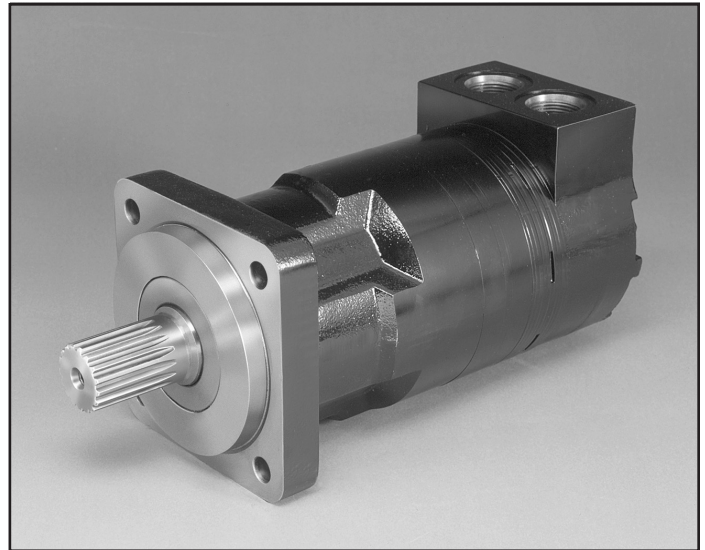


TK Series Heavy Duty Motor Service Manual

| | | |
|---|--|--------------------------------------|
| 7 Displacements 7 Schluckvolumen Cylindrée 7 Desplazamientos | (15.3 to 61.0 in ³ /rev) 250 . . . 1000 cm ³ /rev | |
| Maximum Pressure Eingangsdruck Pression entrée Pressione in entrata | Cont. (3500 psid) . . . 241 bar | Int. (4500 psid) . . . 310 bar |
| Maximum Oil Flow Schluckstrom Débit d'huile Portata | (60 gpm) . . . 227 lpm | |
| Maximum Speed Drehzahl Velocità di rotazione Vitesse de rotation | (523 rpm) 523 rpm | |
| Maximum Torque MaxDrehmoment Couple Coppia | Cont. (21360 lb in) 2413 Nm | Int. (23540 lb in) 2660 Nm |
| Maximum Side Load at Key Seitenlast Charges latérales Carico radiale | (5900 lb) . . . 26245 N | |

Exceptional Strength and Durability in a High Performance Motor

The heart of Parker's TK Series powertrain, the Torqmotor™, is an extra heavy duty part that includes unique 60:40 spline geometry. Rugged construction throughout allows the transmission of over 23,000 lb-in of torque. The entire powertrain is continually washed in cool, high flow fluid to assure long life. Roller vanes and sealed commutator maintain high efficiency and provide smooth low speed performance.



TK **XXXX** **XX** **XX** **0** **XXXX**

Series **Displacement**
Schluckvolumen
Cylindrée
Desplazamiento

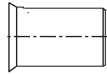
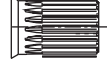

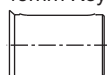
Mounting/Ports
Gehäuse/Anschluß
Carter/Plan de raccordement
Montaje/Lumbreras



Shaft
Welle
Arbre
Ejes

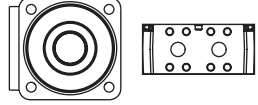
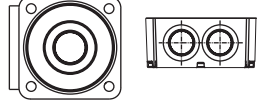
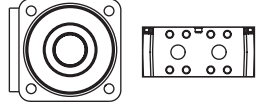

Rotation
Drehrichtung
Direction de rotation
Rotacion

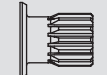
Options
Opciones

| Code | cm ³ /tr cm ³ /giro cm ³ /U | in ³ /rev |
|------|--|----------------------|
| 0250 | 250 / 15.3 | |
| 0315 | 315 / 19.2 | |
| 0400 | 400 / 24.4 | |
| 0500 | 500 / 30.5 | |
| 0630 | 630 / 38.4 | |
| 0800 | 800 / 48.8 | |
| 1000 | 1000 / 61.0 | |

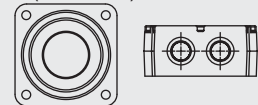
| Code | Shaft |
|------|--|
| | 1 1/2" Keyed |
| 32 |  |
| 36 | 1 1/2" 17 Tooth 12/24 Spline  |
| 63 | 1 3/4" Tapered  |
| 64 | 40mm Keyed  |

| Code | Rear Port Rotation |
|------|---|
| 0 | Standard  |
| 1 | Reverse Timed Manifold  |

| Code | Mounting |
|------|---|
| K4 | Standard SAE CC 4 Bolt 3/4 Split Flange Rear Radial  |
| K5 | Standard SAE CC 4 Bolt 1 5/16-12 SAE Rear Radial  |
| R4 | SAE CC 4 Bolt Metric 3/4 Split Flange Rear Radial  |
| T5 | Wheel Mount 1 5/16-12 SAE Rear Radial  |

| Code | Shaft |
|------|---|
| 62 | 14 Tooth Spline (12/24 P.), (SAE)  |

| Code | Options |
|------|--|
| AAAA | "Standard", Black Paint (045134), Paint area all over except front and rear pilot and mounting flanges and shaft |
| AAAB | "Standard", No Paint |
| AAAC | "Standard", Double Paint (045247), Paint area all over except front and rear pilot and mounting flanges and shaft |
| AABJ | Free Running Rotor Set, Black paint (045134), Paint area all over except front and rear pilot and mounting flanges and shaft |
| AABT | Black paint (045134), Paint area all over except front and rear pilot and mounting flanges and shaft, No shaft hardware |
| AAFA | Fluorocarbon (Viton) Seals, High Temp Commutator Seal, No paint |
| AAFW | Fluorocarbon (Viton) Seals, High Temp Commutator Seal, Black paint (045134), Paint area all over except front and rear pilot and mounting flanges and shaft |
| AAJH | Fluorocarbon (Viton) Seals, High Temp Commutator Seal, Black paint (045134), Paint area all over except front and rear pilot and mounting flanges and shaft, No shaft hardware |
| AAJL | No paint, No shaft hardware |
| AAUP | Fluorocarbon (Viton) Seals, High Temp Commutator Seal, No Paint, No shaft Hardware |
| AAVE | Free Running Rotor Set, Fluorocarbon (Viton) Seals, High Temp Commutator Seal, Black Paint (045134), Paint area all over except front and rear pilot and mounting flanges and shaft |
| ABCW | Fluorocarbon (Viton) Seals, High Temperature Commutator Seal, Bidirectional shuttle (.062 Orifice) (11:00*), Black Paint (045134), Paint area all over except front and rear pilot and mounting flanges and shaft, No Shaft Hardware |
| ABCZ | Fluorocarbon (Viton) Seals, Double paint (045247), Paint area all over except front and rear pilot and mounting flanges and shaft |

| Code | Mounting |
|------|---|
| T6 | Wheel Mount W/ Brake Mount Nose, No Tapped Holes In Nose, G3/4 (3/4 BSPP) Rear Radial  |

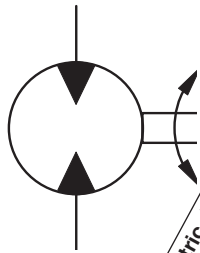
Shaded areas indicate custom order components. Standard pricing and delivery terms may not apply to these components. Please refer to the price list for details, or consult your Parker Pump Motor division Sales Resource.



WARNING

This product can expose you to chemicals including lead and DEHP, which are known to the State of California to cause cancer, and birth defects or other reproductive harm. For more information go to www.p65warnings.ca.gov

Performance Data / Leistungsdaten Puissance / Datos Tecnicos



Geometric displacement
 Geom. Schluckvolumen
 Desplazamientos
 Max. speed @ Max. intermittent flow
 Max. Drehzahl intermittierender Betrieb:
 Velocità di rotazione max. Funzionamento intermittente:
 Velocidad maxima a caudal intermitente maximo
 Max. oil flow
 Max. Schluckstrom
 Débit d'huile maxi
 Caudal Maximo de Aceite
 Max. differential pressure
 Max. Druckgefälle
 Chute de pression maxi
 Presion diferencial maxima
 Max. supply pressure
 Max. Eingangsdruk
 Presion maxi entré
 Presion maxima de alimentacion
 Max. torque
 Max. Drehmoment
 Couple maxi
 Torque Maximo
 Max. performance
 Max. Leistungabgabe
 Puissance de sortie maxi
 Maximo rendimiento
 Min. starting torque
 Min. Anlaufmoment
 Couple min. fourni au dé manrage
 Torque minimo de arranque

| Motor Series TK | cm ³ /rev in ³ /rev | rev/min | cont / int* l/min g/min | | cont / int* bar psid | | max bar psig | cont / int* Nm lb-in | | max KW HP | cont / int* Nm lb-in | |
|-----------------|--|---------|-------------------------------|-----------|----------------------------|-------------|--------------------|----------------------------|---------------|-----------------|----------------------------|---------------|
| TK 0250 | 250 15.3 | 523 | 114 30 | 133 35 | 241 3500 | 310 4500 | 328 4750 | 814 7204 | 1043 9234 | 48.5 65.0 | 689 6100 | 879 7780 |
| TK 0315 | 315 19.2 | 413 | 114 30 | 133 35 | 241 3500 | 310 4500 | 328 4750 | 1029 9105 | 1314 11625 | 47.4 63.5 | 949 8400 | 1217 10770 |
| TK 0400 | 400 24.4 | 373 | 114 30 | 151 40 | 207 3000 | 276 4000 | 328 4750 | 1153 10201 | 1524 13484 | 48.7 65.3 | 1049 9280 | 1410 12480 |
| TK 0500 | 500 30.5 | 298 | 114 30 | 151 40 | 207 3000 | 276 4000 | 328 4750 | 1439 12736 | 1914 16940 | 48.1 64.5 | 1322 11700 | 1783 15780 |
| TK 0630 | 630 38.4 | 237 | 114 30 | 151 40 | 207 3000 | 224 3250 | 328 4750 | 1617 14313 | 1716 15187 | 33.7 45.2 | 1497 13250 | 1621 14350 |
| TK 0800 | 800 48.8 | 276 | 151 40 | 227 60 | 190 2750 | 207 3000 | 328 4750 | 1916 16960 | 2300 20360 | 44.4 59.5 | 1745 15440 | 1902 16834 |
| TK 1000 | 1000 61.0 | 218 | 151 40 | 227 60 | 172 2500 | 190 2750 | 328 4750 | 2413 21360 | 2660 23540 | 35.4 47.5 | 1981 17535 | 2180 19290 |

Performance data based on testing using 10W40 oil with a viscosity of 200 SUS at 54° C (130° F). Performance data is typical. Actual data may vary slightly from one production motor to another.

Les données sur les performances sont basées sur des tests utilisant de l'huile 10W40 d'une viscosité de 200 SUS à 54°C (130°F). Ces données correspondent à des situations typiques. Les données réelles peuvent varier légèrement d'un moteur de production à l'autre.

Leistungsdaten sind gemessen mit SAE 10W40 bei einer Viskosität von 43,1 Cst bei 54°C. Geringfügige Abweichungen von den Katalogdaten sind möglich.

Datos técnicos obtenidos con aceite 10W40 de 200 SUS de viscosidad a 54°C (130°F). Los datos proporcionados son valores típicos. Los valores exactos reales podrían tener una pequeña variación entre distintos motores.

* Intermittent operation rating applies to 10% of every minute.

Intermittierende Werte maximal 10% von jeder Betriebsminute.

Fonctionnement interm. 10% max. de chaque minute d'utilisation.

Capacidad de funcionamiento intermitente valida para 10% por cada minuto.

Performance Data / Leistungsdaten Puissance / Datos Tecnicos

TK 0250

15.3 cu in / rev

PRESSURE (PSID)

| | 500 | 1000 | 1500 | 2000 | 2500 | 3000 | 3500 | 4000 | 4500 |
|-----------|------------|-------------|-------------|-------------|-------------|-------------|-------------|-------------|-------------|
| .5 | 892 5 | 1838 3 | | | | | | | |
| 1 | 895 12 | 1834 10 | 2777 7 | 3729 5 | 4687 4 | 5366 3 | | | |
| 2 | 941 27 | 1922 25 | 2911 21 | 3900 19 | 4895 18 | 5614 17 | 6576 16 | 7551 15 | 8526 14 |
| 4 | 951 57 | 1959 55 | 2972 51 | 3988 48 | 5012 46 | 5932 43 | 6874 40 | 7824 38 | 8792 37 |
| 8 | 927 118 | 1960 114 | 2997 110 | 4035 107 | 5069 103 | 6121 98 | 7124 95 | 8114 92 | 9139 89 |
| 12 | 870 178 | 1913 174 | 2958 170 | 4008 166 | 5060 161 | 6167 155 | 7204 149 | 8221 144 | 9230 139 |
| 16 | 786 239 | 1841 234 | 2895 229 | 3943 224 | 4994 219 | 6147 214 | 7183 209 | 8203 205 | 9234 199 |
| 20 | 671 299 | 1731 294 | 2799 289 | 3855 283 | 4896 278 | 6088 272 | 7126 267 | 8159 261 | 9185 255 |
| 24 | 555 359 | 1600 354 | 2666 349 | 3739 342 | 4796 336 | 6001 330 | 7044 324 | 8075 319 | 9120 314 |
| 28 | 410 419 | 1457 416 | 2516 409 | 3585 402 | 4657 395 | 5887 388 | 6939 380 | 7967 373 | 8993 366 |
| 32 | 237 479 | 1294 476 | 2362 469 | 3424 462 | 4490 455 | 5747 448 | 6802 441 | 7806 434 | 8809 426 |
| 35 | 119 523 | 1157 522 | 2216 514 | 3296 507 | 4381 499 | 5647 492 | 6676 484 | 7661 477 | 8685 470 |

Flow (GPM)

TORQUE (LB IN) 5647
SPEED (RPM) 492

Cont. Int.

Intermittent operation rating applies to 10% of every minute.

Fonctionnement interm. 10% max. de chaque minute d'utilisation.

Performance data based on testing using 10W40 oil with a viscosity of 200 SUS at 54° C (130° F). Performance data is typical. Actual data may vary slightly from one production motor to another.

Les données sur les performances sont basées sur des tests utilisant de l'huile 10W40 d'une viscosité de 200 SUS à 54°C (130°F). Ces données correspondent à des situations typiques. Les données réelles peuvent varier légèrement d'un moteur de production à l'autre.

Intermittierende Werte maximal 10% von jeder Betriebsminute.

Capacidad de funcionamiento intermitente valida para 10% por cada minuto.

Leistungsdaten sind gemessen mit SAE 10W40 bei einer Viskosität von 43,1 Cst bei 54°C. Geringfügige Abweichungen von den Katalogerten sind möglich.

Datos técnicos obtenidos con aceite 10W40 de 200 SUS de viscosidad a 54°C (130°F). Los datos proporcionados son valores típicos. Los valores exactos reales podrían tener una pequeña variación entre distintos motores.

Performance Data / Leistungsdaten

Puissance / Datos Tecnicos

TK 0315

19.2 cu in / rev

PRESSURE (PSID)

| | 500 | 1000 | 1500 | 2000 | 2500 | 3000 | 3500 | 4000 | 4500 |
|-----------|-------------|-------------|-------------|-------------|-------------|-------------|-------------|--------------|--------------|
| .5 | 1105 5 | 2300 4 | 3519 3 | | | | | | |
| 1 | 1161 11 | 2342 9 | 3567 9 | 4786 8 | 6035 8 | 7319 7 | | | |
| 2 | 1210 22 | 2468 21 | 3728 20 | 4992 19 | 6222 18 | 7454 17 | 8675 16 | 9899 15 | 11104 14 |
| 4 | 1224 46 | 2512 43 | 3803 41 | 5094 39 | 6363 37 | 7623 35 | 8875 33 | 10108 31 | 11337 30 |
| 8 | 1201 94 | 2524 91 | 3853 89 | 5183 86 | 6498 83 | 7799 80 | 9084 78 | 10343 77 | 11587 76 |
| 12 | 1128 142 | 2458 137 | 3791 133 | 5134 130 | 6469 127 | 7793 124 | 9105 121 | 10383 118 | 11625 117 |
| 16 | 1021 189 | 2358 184 | 3702 179 | 5045 176 | 6390 172 | 7724 168 | 9043 164 | 10340 161 | 11601 159 |
| 20 | 890 237 | 2227 232 | 3580 226 | 4931 222 | 6278 218 | 7620 214 | 8942 210 | 10245 205 | 11520 201 |
| 24 | 739 284 | 2067 280 | 3419 273 | 4771 268 | 6123 263 | 7470 259 | 8798 254 | 10099 249 | 11374 244 |
| 28 | 586 331 | 1904 327 | 3249 320 | 4605 314 | 5953 309 | 7296 304 | 8636 300 | 9937 293 | 11222 289 |
| 32 | 397 377 | 1721 374 | 3087 367 | 4420 361 | 5757 355 | 7100 350 | 8447 346 | 9766 339 | 11057 332 |
| 35 | 240 413 | 1558 410 | 2897 403 | 4257 395 | 5606 389 | 6943 383 | 8284 378 | 9593 371 | 10888 367 |

Flow (GPM)

TORQUE (LB IN) 6943
SPEED (RPM) 383

Cont. Int.

Intermittent operation rating applies to 10% of every minute.

Fonctionnement interm. 10% max. de chaque minute d'utilisation.

Performance data based on testing using 10W40 oil with a viscosity of 200 SUS at 54° C (130° F). Performance data is typical. Actual data may vary slightly from one production motor to another.

Les données sur les performances sont basées sur des tests utilisant de l'huile 10W40 d'une viscosité de 200 SUS à 54°C (130°F). Ces données correspondent à des situations typiques. Les données réelles peuvent varier légèrement d'un moteur de production à l'autre.

Intermittierende Werte maximal 10% von jeder Betriebsminute.

Capacidad de funcionamiento intermitente valida para 10% por cada minuto.

Leistungsdaten sind gemessen mit SAE 10W40 bei einer Viskosität von 43,1 Cst bei 54°C. Geringfügige Abweichungen von den Katalogerten sind möglich.

Datos técnicos obtenidos con aceite 10W40 de 200 SUS de viscosidad a 54°C (130°F). Los datos proporcionados son valores típicos. Los valores exactos reales podrían tener una pequeña variación entre distintos motores.



**Performance Data / Leistungsdaten
Puissance / Datos Tecnicos**

TK 0400

24.4 cu in / rev

PRESSURE (PSID)

| | 500 | 1000 | 1500 | 2000 | 2500 | 3000 | 3500 | 4000 |
|-----------|-------------|-------------|-------------|-------------|-------------|--------------|--------------|--------------|
| .5 | 1429 4 | 2974 3 | 4559 3 | 6201 2 | 7860 2 | 9483 2 | 11110 2 | 12511 1 |
| 1 | 1498 8 | 3029 8 | 4566 7 | 6173 6 | 7829 6 | 9479 5 | 11101 5 | 12648 4 |
| 2 | 1586 17 | 3211 15 | 4835 14 | 6466 13 | 8043 12 | 9590 11 | 11206 10 | 12865 9 |
| 4 | 1620 36 | 3295 34 | 4974 32 | 6652 29 | 8321 28 | 9962 26 | 11582 25 | 13052 23 |
| 8 | 1615 73 | 3334 70 | 5062 68 | 6790 65 | 8488 63 | 10160 60 | 11825 58 | 13301 56 |
| 12 | 1536 110 | 3282 107 | 5025 105 | 6764 101 | 8493 98 | 10201 95 | 11893 92 | 13462 89 |
| 16 | 1418 148 | 3171 144 | 4924 141 | 6676 138 | 8421 134 | 10150 130 | 11846 127 | 13484 123 |
| 20 | 1270 185 | 3022 181 | 4776 178 | 6537 174 | 8296 170 | 10037 166 | 11744 161 | 13432 157 |
| 24 | 1095 222 | 2846 219 | 4601 215 | 6371 210 | 8135 206 | 9876 201 | 11610 197 | 13405 192 |
| 28 | 907 259 | 2645 256 | 4397 251 | 6171 247 | 7937 242 | 9681 237 | 11430 232 | 13250 228 |
| 32 | 683 297 | 2420 293 | 4179 288 | 5951 283 | 7714 278 | 9467 273 | 11211 268 | 12923 262 |
| 35 | 501 325 | 2216 322 | 4007 316 | 5779 311 | 7529 306 | 9280 300 | 11020 294 | 12745 289 |
| 40 | 195 373 | 1908 368 | 3649 362 | 5417 357 | 7193 351 | 8961 345 | 10703 339 | 12390 332 |

Flow (GPM)

TORQUE (LB IN) 8961
SPEED (RPM) 345

Cont. Int.

Intermittent operation rating applies to 10% of every minute.

Fonctionnement interm. 10% max. de chaque minute d'utilisation.

Performance data based on testing using 10W40 oil with a viscosity of 200 SUS at 54° C (130° F). Performance data is typical. Actual data may vary slightly from one production motor to another.

Les données sur les performances sont basées sur des tests utilisant de l'huile 10W40 d'une viscosité de 200 SUS à 54°C (130°F). Ces données correspondent à des situations typiques. Les données réelles peuvent varier légèrement d'un moteur de production à l'autre.

Intermittierende Werte maximal 10% von jeder Betriebsminute.

Capacidad de funcionamiento intermitente valida para 10% por cada minuto.

Leistungsdaten sind gemessen mit SAE 10W40 bei einer Viskosität von 43,1 Cst bei 54°C. Geringfügige Abweichungen von den Katalogerten sind möglich.

Datos tecnicos obtenidos con aceite 10W40 de 200 SUS de viscosidad a 54°C (130°F). Los datos proporcionados son valores tipicos. Los valores exactos reales podrian tener una pequena variacion entre distintos motores.



Performance Data / Leistungsdaten Puissance / Datos Tecnicos

TK 0500

30.5 cu in / rev

PRESSURE (PSID)

| | 500 | 1000 | 1500 | 2000 | 2500 | 3000 | 3500 | 4000 |
|-----------|-------------|-------------|-------------|-------------|--------------|--------------|--------------|--------------|
| 1 | 1880 5 | 3810 4 | 5826 3 | 7926 2 | 9000 2 | 11979 2 | 14077 1 | 16261 1 |
| 2 | 1982 13 | 4013 11 | 6067 9 | 8109 8 | 10154 6 | 12243 5 | 14323 5 | 16394 5 |
| 4 | 2000 28 | 4103 26 | 6223 24 | 8346 22 | 10464 20 | 12559 18 | 14642 16 | 16615 14 |
| 8 | 1971 58 | 4118 56 | 6276 53 | 8437 50 | 10584 48 | 12724 45 | 14852 44 | 16825 40 |
| 12 | 1876 91 | 4041 87 | 6219 85 | 8400 80 | 10575 77 | 12736 73 | 14873 70 | 16901 66 |
| 16 | 1724 120 | 3904 115 | 6088 112 | 8277 109 | 10461 103 | 12633 101 | 14801 97 | 16940 93 |
| 20 | 1537 148 | 3725 145 | 5911 142 | 8105 138 | 10301 134 | 12494 130 | 14660 125 | 16783 121 |
| 24 | 1318 178 | 3504 175 | 5694 171 | 7898 167 | 10108 163 | 12310 159 | 14481 154 | 16607 149 |
| 28 | 1066 208 | 3242 205 | 5430 200 | 7634 196 | 9856 192 | 12063 188 | 14232 182 | 16405 177 |
| 32 | 781 238 | 2959 235 | 5146 230 | 7357 225 | 9580 221 | 11781 217 | 13939 211 | 16110 206 |
| 35 | 551 260 | 2702 258 | 4940 252 | 7153 248 | 9335 243 | 11517 239 | 13703 233 | 15892 228 |
| 40 | 178 298 | 2341 296 | 4519 290 | 6746 285 | 8957 280 | 11041 275 | 13296 269 | 15400 264 |

Flow (GPM)

TORQUE (LB IN) 11041
SPEED (RPM) 275

Cont. Int.

Intermittent operation rating applies to 10% of every minute.

Fonctionnement interm. 10% max. de chaque minute d'utilisation.

Performance data based on testing using 10W40 oil with a viscosity of 200 SUS at 54° C (130° F). Performance data is typical. Actual data may vary slightly from one production motor to another.

Les donnees sur les performances sont basees sur des tests utilisant de l'huile 10W40 d'une viscosite de 200 SUS a 54°C (130°F). Ces donnees correspondent a des situations typiques. Les donnees reelles peuvent varier legerement d'un moteur de production a l'autre.

Intermittierende Werte maximal 10% von jeder Betriebsminute.

Capacidad de funcionamiento intermitente valida para 10% por cada minuto.

Leistungsdaten sind gemessen mit SAE 10W40 bei einer Viskosität von 43,1 Cst bei 54°C. Geringfügige Abweichungen von den Katalogerten sind möglich.

Datos tecnicos obtenidos con aceite 10W40 de 200 SUS de viscosidad a 54°C (130°F). Los datos proporcionados son valores tipicos. Los valores exactos reales podrian tener una pequena variacion entre distintos motores.

**Performance Data / Leistungsdaten
Puissance / Datos Tecnicos**

TK 0630

38.4 cu in / rev

PRESSURE (PSID)

| | 500 | 1000 | 1500 | 2000 | 2500 | 3000 | 3250 |
|-----------|-------------|-------------|-------------|--------------|--------------|--------------|--------------|
| 1 | 2319 4 | 4638 2 | 6993 2 | 9395 1 | | | |
| 2 | 2431 10 | 4839 8 | 7230 7 | 9636 6 | 11969 5 | 13330 4 | 13946 3 |
| 4 | 2492 22 | 4992 19 | 7446 17 | 9896 15 | 12235 14 | 13800 13 | 14516 11 |
| 8 | 2475 45 | 5116 42 | 7670 39 | 10180 36 | 12504 33 | 14216 31 | 15003 29 |
| 12 | 2323 69 | 5027 66 | 7694 62 | 10275 57 | 12614 53 | 14253 50 | 15147 46 |
| 16 | 2106 94 | 4850 90 | 7572 85 | 10229 79 | 12659 74 | 14290 70 | 15187 65 |
| 20 | 1885 118 | 4638 114 | 7390 109 | 10092 102 | 12609 97 | 14313 91 | 15095 85 |
| 25 | 1455 147 | 4261 143 | 7110 136 | 9946 129 | 12528 119 | 14268 111 | 15068 104 |
| 30 | 969 177 | 3737 175 | 6596 168 | 9451 161 | 12111 152 | 14113 142 | 15044 133 |
| 32 | 751 189 | 3508 187 | 6330 181 | 9201 174 | 11909 165 | 14028 154 | 15018 144 |
| 40 | 121 237 | 2592 235 | 5266 233 | 8201 226 | 11101 217 | 13504 205 | 14912 191 |

Flow (GPM)

TORQUE (LB IN) 13504
SPEED (RPM) 205

Cont. Int.

Intermittent operation rating applies to 10% of every minute.

Fonctionnement interm. 10% max. de chaque minute d'utilisation.

Performance data based on testing using 10W40 oil with a viscosity of 200 SUS at 54° C (130° F). Performance data is typical. Actual data may vary slightly from one production motor to another.

Les données sur les performances sont basées sur des tests utilisant de l'huile 10W40 d'une viscosité de 200 SUS à 54°C (130°F). Ces données correspondent à des situations typiques. Les données réelles peuvent varier légèrement d'un moteur de production à l'autre.

Intermittierende Werte maximal 10% von jeder Betriebsminute.

Capacidad de funcionamiento intermitente valida para 10% por cada minuto.

Leistungsdaten sind gemessen mit SAE 10W40 bei einer Viskosität von 43,1 Cst bei 54°C. Geringfügige Abweichungen von den Katalogerten sind möglich.

Datos tecnicos obtenidos con aceite 10W40 de 200 SUS de viscosidad a 54°C (130°F). Los datos proporcionados son valores tipicos. Los valores exactos reales podrian tener una pequena variacion entre distintos motores.



WARNING

This product can expose you to chemicals including lead and DEHP, which are known to the State of California to cause cancer, and birth defects or other reproductive harm. For more information go to www.p65warnings.ca.gov

Performance Data / Leistungsdaten Puissance / Datos Tecnicos

TK 0800

48.8 cu in / rev

PRESSURE (PSID)

| | 500 | 1000 | 1500 | 2000 | 2500 | 2750 | 3000 |
|-----------|-------------|-------------|-------------|--------------|--------------|--------------|--------------|
| 1 | 3144 4 | 6368 4 | 9714 3 | 13131 3 | 16586 3 | 18303 3 | 20020 3 |
| 2 | 3254 9 | 6589 8 | 9957 8 | 13355 7 | 16783 7 | 18511 7 | 20239 7 |
| 4 | 3313 18 | 6721 17 | 10131 17 | 13531 16 | 16926 15 | 18632 15 | 20338 15 |
| 8 | 3267 37 | 6707 36 | 10146 35 | 13561 33 | 16961 32 | 18661 32 | 20360 31 |
| 12 | 3105 55 | 6564 54 | 10011 53 | 13436 51 | 16832 49 | 18512 48 | 20191 47 |
| 16 | 2817 74 | 6316 73 | 9812 71 | 13263 68 | 16678 66 | 18380 65 | 20082 64 |
| 20 | 2530 93 | 6046 91 | 9530 89 | 12963 86 | 16392 84 | 18099 83 | 19806 81 |
| 24 | 2153 112 | 5637 109 | 9156 107 | 12636 104 | 16060 101 | 17758 100 | 19456 99 |
| 28 | 1741 130 | 5226 128 | 8766 125 | 12213 122 | 15621 119 | 17339 118 | 19057 116 |
| 32 | 1302 149 | 4774 147 | 8267 144 | 11748 140 | 15196 137 | 16885 136 | 18574 134 |
| 35 | 941 162 | 4411 161 | 7913 158 | 11363 154 | 14816 151 | 16511 149 | 18206 147 |
| 40 | 349 186 | 3765 184 | 7231 181 | 10684 177 | 14141 174 | 15842 172 | 17543 170 |
| 45 | 244 209 | 3134 208 | 6585 205 | 10019 201 | 13462 197 | 15149 195 | 16835 193 |
| 50 | 0 234 | 2287 232 | 5748 228 | 9207 224 | 12688 219 | 14407 218 | 16125 216 |
| 55 | | 1441 256 | 4326 252 | 8356 247 | 12212 242 | 13713 241 | 15213 239 |
| 60 | | | 2904 276 | 7505 270 | 10677 265 | 12489 264 | 14301 262 |

TORQUE (LB IN) 17543
SPEED (RPM) 170

Flow (GPM)

Cont. Int.

Intermittent operation rating applies to 10% of every minute.

Fonctionnement interm. 10% max. de chaque minute d'utilisation.

Performance data based on testing using 10W40 oil with a viscosity of 200 SUS at 54° C (130° F). Performance data is typical. Actual data may vary slightly from one production motor to another.

Les données sur les performances sont basées sur des tests utilisant de l'huile 10W40 d'une viscosité de 200 SUS à 54°C (130°F). Ces données correspondent à des situations typiques. Les données réelles peuvent varier légèrement d'un moteur de production à l'autre.

Intermittierende Werte maximal 10% von jeder Betriebsminute.

Capacidad de funcionamiento intermitente valida para 10% por cada minuto.

Leistungsdaten sind gemessen mit SAE 10W40 bei einer Viskosität von 43,1 Cst bei 54°C. Geringfügige Abweichungen von den Katalogerten sind möglich.

Datos técnicos obtenidos con aceite 10W40 de 200 SUS de viscosidad a 54°C (130°F). Los datos proporcionados son valores típicos. Los valores exactos reales podrían tener una pequeña variación entre distintos motores.

**Performance Data / Leistungsdaten
Puissance / Datos Tecnicos**

TK 1000

61.0 cu in / rev

PRESSURE (PSID)

| | 500 | 1000 | 1500 | 2000 | 2500 | 2750 |
|-----------|-------------|-------------|--------------|--------------|--------------|--------------|
| 1 | 3839 3 | 7926 2 | 12129 1 | 16431 1 | 20758 1 | 23100 1 |
| 2 | 4049 7 | 8269 6 | 12522 5 | 16814 4 | 21124 4 | 23195 4 |
| 4 | 4122 14 | 8406 13 | 12692 12 | 16997 11 | 21317 11 | 23477 11 |
| 8 | 4040 29 | 8378 28 | 12711 26 | 17031 25 | 21366 23 | 23546 23 |
| 12 | 3846 44 | 8215 42 | 12581 41 | 16899 39 | 21173 37 | 23312 36 |
| 16 | 3519 59 | 7958 57 | 12362 55 | 16690 53 | 20955 50 | 23083 50 |
| 20 | 3168 74 | 7615 72 | 12006 70 | 16369 67 | 20683 64 | 22750 63 |
| 24 | 2705 89 | 7132 87 | 11594 85 | 15965 82 | 20245 78 | 22358 77 |
| 28 | 2173 104 | 6629 102 | 11088 100 | 15457 96 | 19776 93 | 21883 92 |
| 32 | 1627 119 | 6008 117 | 10463 114 | 14911 111 | 19230 107 | 21354 105 |
| 35 | 1170 130 | 5568 129 | 9988 126 | 14376 123 | 18768 119 | 20921 117 |
| 40 | 399 149 | 4732 148 | 9133 145 | 13544 142 | 17944 138 | 20093 136 |
| 45 | 0 169 | 3802 167 | 8071 164 | 12397 161 | 16791 157 | 18963 155 |
| 50 | 0 187 | 2733 186 | 6958 183 | 11168 179 | 15338 175 | 17376 174 |
| 55 | | 1502 205 | 5845 202 | 9939 198 | 13985 194 | 15973 191 |
| 60 | | | 4732 218 | 8710 215 | 12632 213 | 14202 211 |

TORQUE (LB IN) 20093
SPEED (RPM) 136

Flow (GPM)

Cont. Int.

Intermittent operation rating applies to 10% of every minute.

Fonctionnement interm. 10% max. de chaque minute d'utilisation.

Performance data based on testing using 10W40 oil with a viscosity of 200 SUS at 54° C (130° F). Performance data is typical. Actual data may vary slightly from one production motor to another.

Les données sur les performances sont basées sur des tests utilisant de l'huile 10W40 d'une viscosité de 200 SUS à 54°C (130°F). Ces données correspondent à des situations typiques. Les données réelles peuvent varier légèrement d'un moteur de production à l'autre.

Intermittierende Werte maximal 10% von jeder Betriebsminute.

Capacidad de funcionamiento intermitente valida para 10% por cada minuto.

Leistungsdaten sind gemessen mit SAE 10W40 bei einer Viskosität von 43,1 Cst bei 54°C. Geringfügige Abweichungen von den Katalogerten sind möglich.

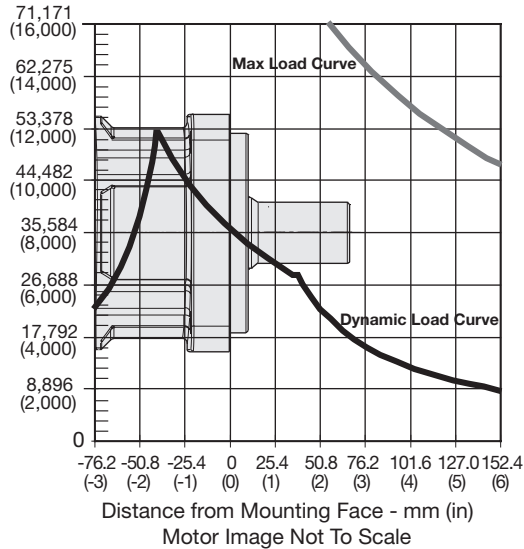
Datos tecnicos obtenidos con aceite 10W40 de 200 SUS de viscosidad a 54°C (130°F). Los datos proporcionados son valores tipicos. Los valores exactos reales podrian tener una pequena variacion entre distintos motores.



Radial Load / Radiale Wellenbelastung Charges Radiales / Carga Radial

Flange Mount / Standardgehäuse Monture à bride(s) / Montaje de brida

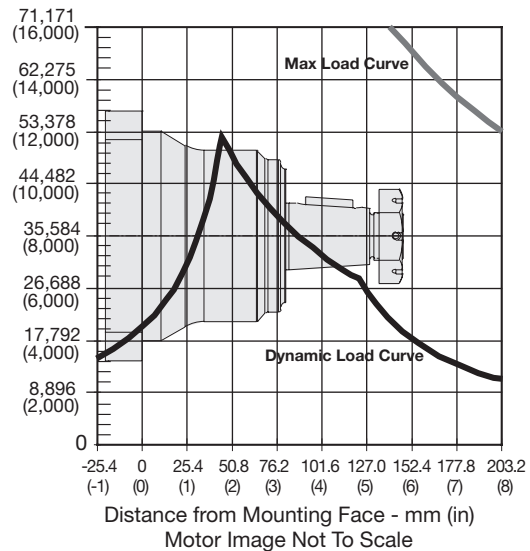
Side Load - N (lbs)



The dynamic side load curve is based on uni-directional steady state loads for L_{10} bearing life at 12×10^6 @ 100 RPM revolutions. Die zulaessige auslegbare radiale Wellenbelastungskurve ist unter ruhenden, einseitig statisch gerichteten Lastverhältnissen auf eine L_{10} Lebensdauer mit 12×10^6 Umdrehungen kalkuliert bei 100 min. La courbe de charge laterale permise se base sur des charges unidirectionnelles en regime permanent pour le roulement L_{10} a 12×10^6 @ 100 RPM revolutions. La curva de valores admisibles de carga lateral esta basada en cargas contantes para cojinetes L_{10} a 12×10^6 revoluciones @ 100 RPM.

Wheel Mount / Radnabengehäuse Monture à roue / Montaje de rueda

Side Load - N (lbs)



The maximum load curve is defined by bearing static load capacity. This curve should not be exceeded at any time including shock loads. Die maximale radiale Wellenbelastungskurve ist definiert als maximale statische Last ohne Drehzahl. Sie gilt als Grenze und sollte keinesfalls überschritten werden. La courbe de charge maximale est définie par la capacité de charge statique portante. Cette courbe ne devrait être dépassée en aucun moment y compris pour les charges par à-coups. La curva de carga máxima queda definida por la capacidad de carga estática del cojinete. No se deben superar los valores de esta curva, ni siquiera con cargas provisorias de impacto.

Equation to Calculate the Expected Radial Bearing Life Gleichung zur Ermittlung der Lagerlebensdauer

Equation to calculate the dynamic bearing life for a given load:
Bestimmung der erlaubten radialen Wellenbelastung mit vorgegebener Last

Use F_a , F_b and S in equation to determine hours of L_{10} bearing life.
Die Lebensdauer in Stunden ergibt sich durch einsetzen von F_a , F_b und S in die nachstehende Formel.

$$L = \frac{12 \times 10^6}{60 \times S} \left\{ \frac{F_a}{F_b} \right\}^{3.33}$$

Where / Mit:

S = Shaft Speed RPM / Abtriebswellendrehzahl in min^{-1}

L = Life In Hours / Lebensdauer in Stunden

F_a = Allowable side load defined by above curve at a distance from mounting flange. / Erlaubte radiale Wellenbelastung als Funktion der Laenge

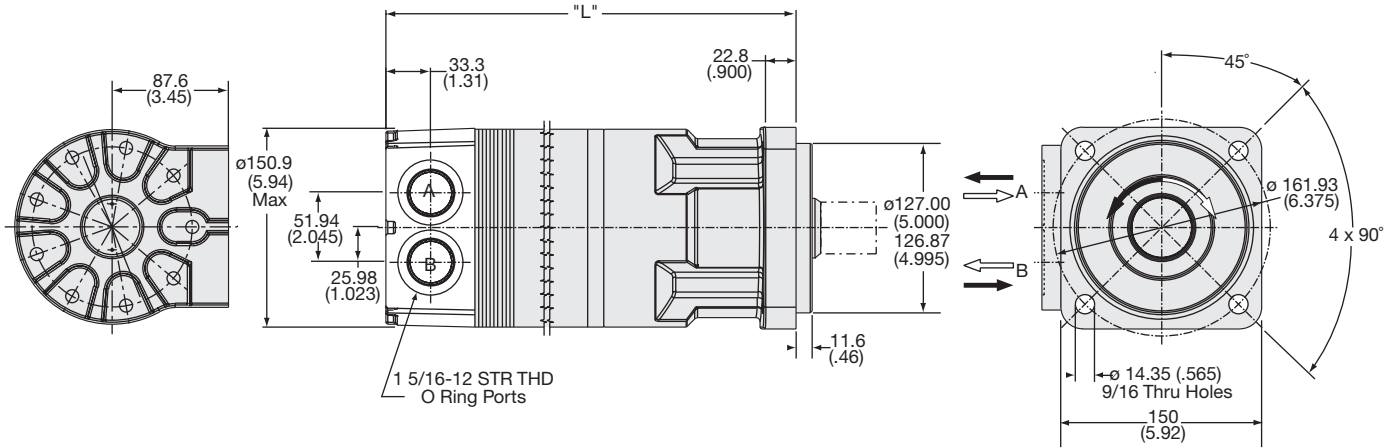
F_b = Application side load. / Anwendungsseitige Wellenbelastung

Note: Calculations are based on L_{10} bearing life per ISO 281.
Auslegung basiert auf einer L_{10} Lebensdauer nach ISO 281.

Mounting, Ports/Gehäuse, Anschlüsse Carter, Orifices / Montaje, Lumbreras

Code: K5

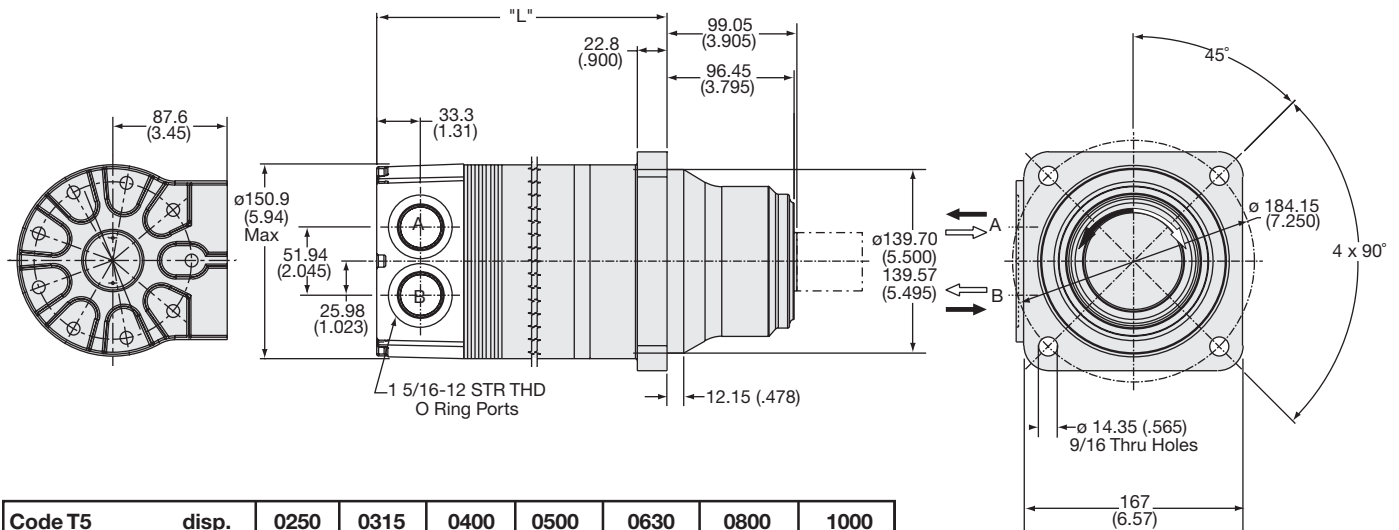
Standard SAE CC, 1 5/16-12 SAE Rear Radial



| Code K5 | disp. | 0250 | 0315 | 0400 | 0500 | 0630 | 0800 | 1000 |
|------------------|----------|--------|--------|--------|--------|--------|--------|--------|
| Weight/Gewichtkg | kg | 32.0 | 32.7 | 33.5 | 34.5 | 35.7 | 37.2 | 39.1 |
| Poids/Peso | (lb) | (70.6) | (72.0) | (73.8) | (76.0) | (78.8) | (82.1) | (86.3) |
| Length | "L" mm | 276.9 | 281.9 | 289.6 | 297.2 | 309.9 | 322.6 | 340.4 |
| | "L" (in) | (10.9) | (11.1) | (11.4) | (11.7) | (12.2) | (12.7) | (13.4) |

Code: T5

Wheel Mount, 1 5/16-12 SAE Rear Radial



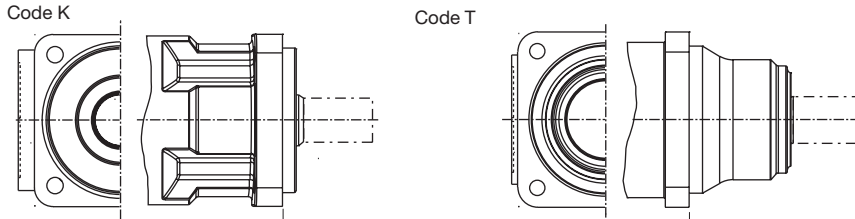
| Code T5 | disp. | 0250 | 0315 | 0400 | 0500 | 0630 | 0800 | 1000 |
|----------------|----------|--------|--------|--------|--------|--------|--------|--------|
| Weight/Gewicht | kg | 30.8 | 31.4 | 32.3 | 33.2 | 34.5 | 36.0 | 37.9 |
| Poids/Peso | (lb) | (67.9) | (69.3) | (71.1) | (73.3) | (76.1) | (79.4) | (83.5) |
| Length | "L" mm | 190.5 | 195.6 | 203.2 | 213.4 | 223.5 | 238.8 | 256.5 |
| | "L" (in) | (7.5) | (7.7) | (8.0) | (8.4) | (8.8) | (9.4) | (10.1) |



WARNING

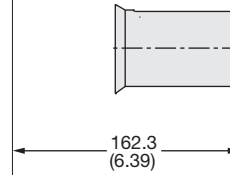
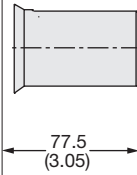
This product can expose you to chemicals including lead and DEHP, which are known to the State of California to cause cancer, and birth defects or other reproductive harm. For more information go to www.p65warnings.ca.gov

Shafts / Abtriebswellen
Arbre / Ejes



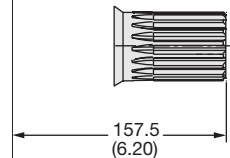
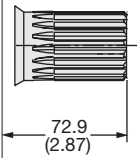
Code: 32

1 1/2" Keyed



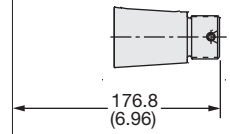
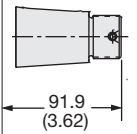
Code: 36

**1 1/2" 17 Tooth
12/24 Spline**



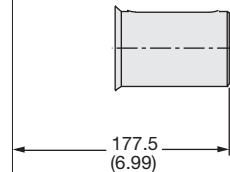
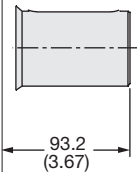
Code: 63

1 3/4" Tapered



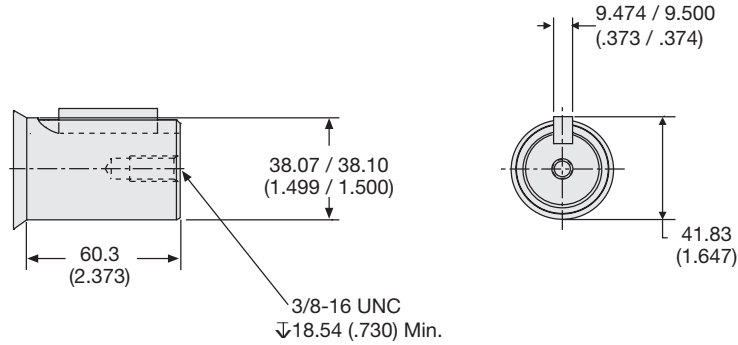
Code: 64

40mm Keyed



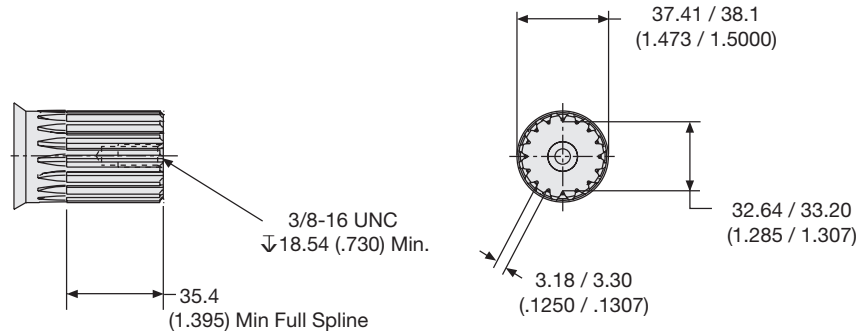
Code: 32

1 1/2" Keyed



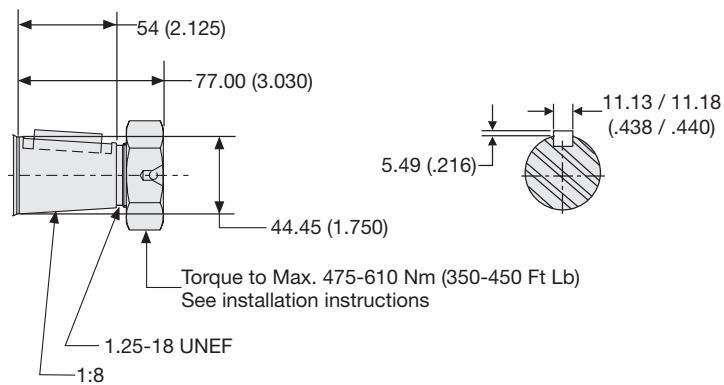
Code: 36

**1 1/2" 17 Tooth
12/24 Spline**



Code: 63

1 3/4" Tapered



Code: 64

40mm Keyed

