

# Parker DS Series Double Selector Valve

## Service Manual

### General Description

Series DS12 and DS75 accessory valves are two-position, double selector valves. They are designed for directing flow from one single hydraulic circuit to two separate hydraulic lines. This permits operation of two, double-acting cylinders with:

- one four-way control valve, or
- four single-acting cylinders with two three-way control valves.

The valve should be operated (shifted) prior to applying pressure to it. When the spool begins to move, all ports are momentarily connected.

### Operation

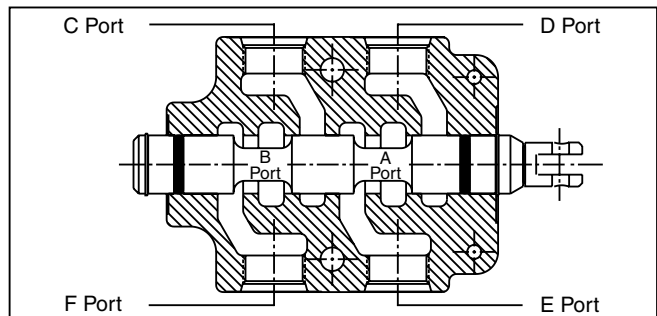
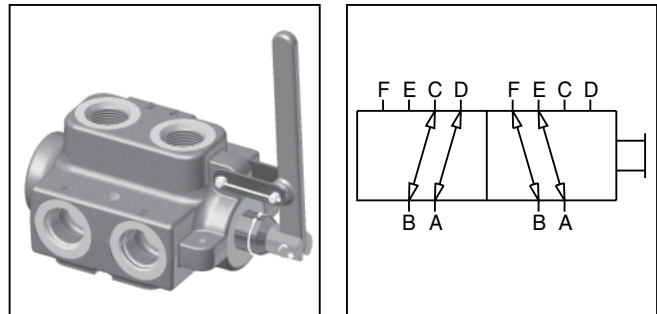
In the normal mode, pump flow can enter the valve through either A or B port. The other port then becomes the return port. Port A is connected to Port D; Port B is connected to Port C. When the lever is pushed in, Port A is connected to Port E; Port B is connected to Port F.

### Features

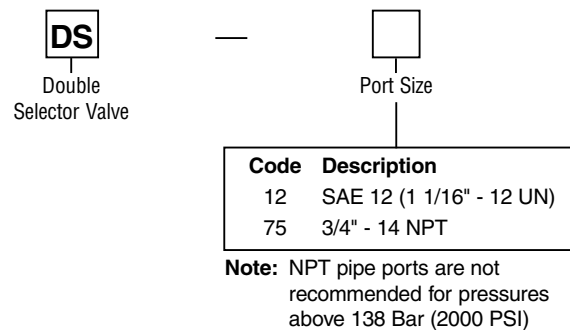
- Chrome plated spool
- High-tensile cast iron body

### Specifications

<b>Input Flow</b>	93.75 LPM (25 GPM)
<b>Operating Pressure</b> SAE Ports NPTF Ports	207 Bar (3000 PSI) 138 Bar (2000 PSI)
<b>Operating Temperature Range (Ambient)</b>	Nitrile Seals: -40°C to +93°C (-40°F to +200°F)
<b>Material</b>	Body – High strength cast iron Spool – Hardened and ground steel
<b>Filtration</b>	ISO Code 16/13 SAE Class 4 or better
<b>Mounting Position</b>	In-line; no restrictions



### Ordering Information



### Service Parts

Handle Kit	06656001
Kit – Spool Seals and Retaining Rings	06492001
Clevis and Lock Washer Kit	08650235

**Note:** The body and the spool are not service items.

**Dimensions**

**Mobile Accessory Valves  
Series DS**

Inch equivalents for millimeter dimensions are shown in (\*\*)

