

Parker RPJL Series In-Line Mounted Pilot Operated Relief Valve Service Manual

General Description

Series RPJL accessory valves are relief valves used for limiting the maximum pressure which can be applied to the portion of the hydraulic circuit where it is connected.

Series RPJL relief valves are pilot operated, poppet-type relief valves. Their best application is a main system relief where smooth consistent performance is required.

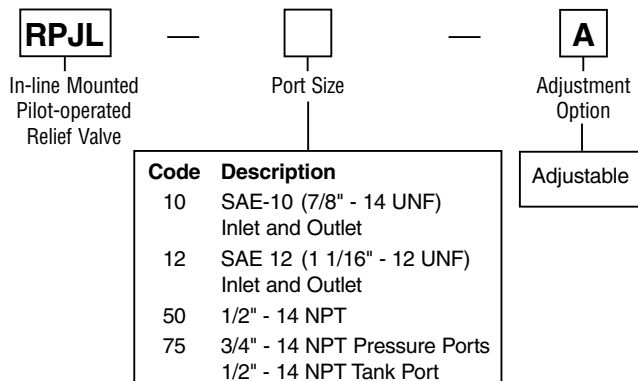
Operation

The pilot section opens when inlet pressure on the RPJL relief valve exceeds the valve setting. This pilot flow creates a pressure imbalance across the main section causing the valve to open. The pilot section closes once the inlet pressure drops below the valve setting. This then re-seats the poppet in the main valve and closes it.

Features

- Compact, low profile design
- Hardened and ground poppet
- High tensile, compacted graphite body

Ordering Information



Note: NPT pipe ports are not recommended for pressures above 138 Bar (2000 PSI)

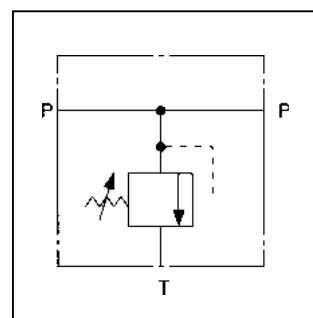
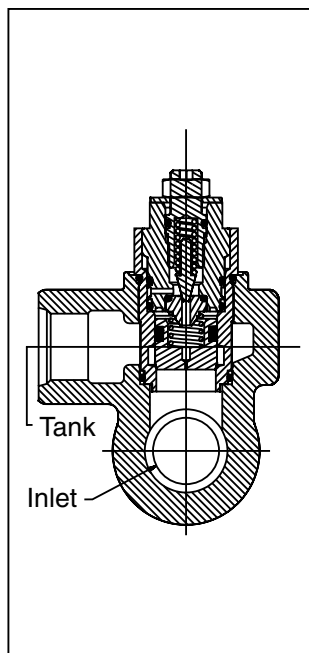
A right angle flow (former T option) is created by plugging one of the P ports.

Service Parts

Relief Valve	RP51-A-5000
O-Ring Seal Kit	00712223
Body Kit	
RPJL-10	K-WJL-10
RPJL-50	K-WJL-50
RPJL-75	K-WJL-75
Relief Adjustment	
1/4 turn = 200 PSI \pm 10%	

Note: The internal parts of the relief valve (including the spring) are non-service items.

RPJL.p65, dd

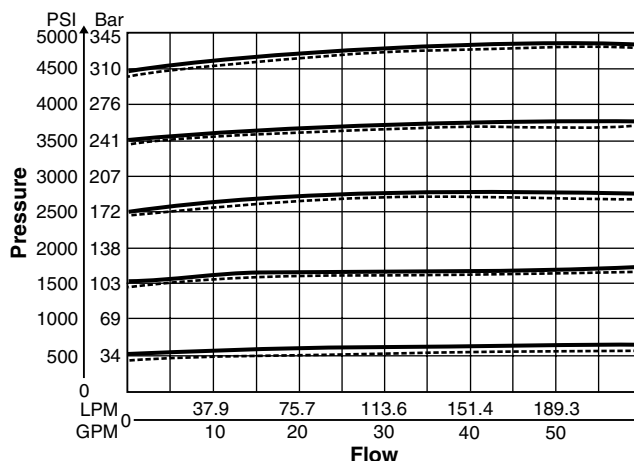


Specifications

Input Flow	93.75 LPM (25 GPM)
Operating Pressure SAE Ports NPTF Ports	350 Bar (5000 PSI) 138 Bar (2000 PSI)
Operating Temperature Range (Ambient)	Nitrile Seals: -40°C to +93°C (-40°F to +200°F)
Material	Body – High strength cast iron Spool – Hardened and ground steel
Filtration	ISO Code 16/13 SAE Class 4 or better
Mounting Position	In-line; no restrictions

Performance Curve

Crack – 34 to 345 Bar (500 to 5000 PSI)



Dimensions

**Mobile Accessory Valves
Series RPJL**

Inch equivalents for millimeter dimensions are shown in (**)

