

Parker SAE Flange - Series C5V Direct Operated Check Valve Service Manual

General Description

Series C5V direct operated check valves provide free flow in one direction and block the flow in the counter direction.

The SAE flanges allow to mount the C5V directly on the pressure port of pumps for protection against pressure shocks from the system.

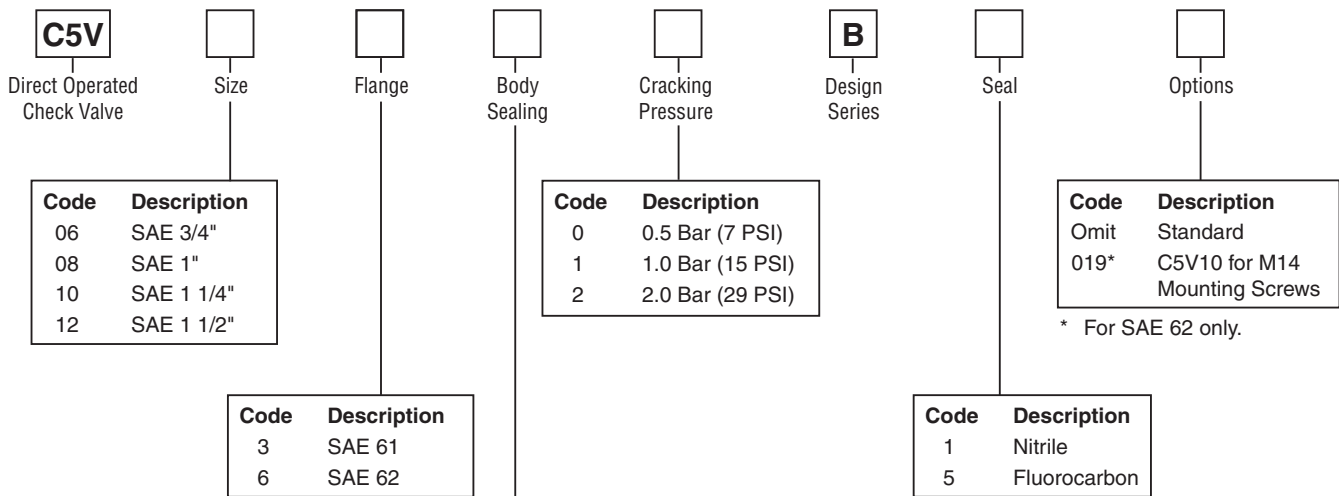
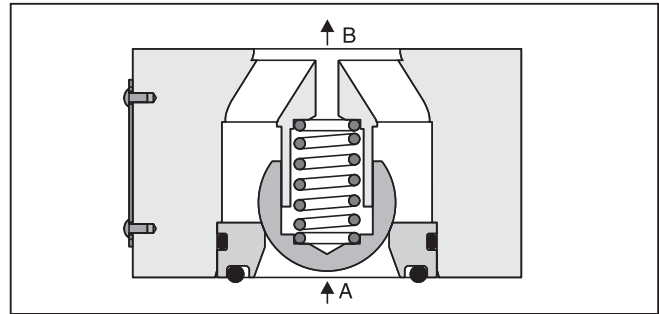
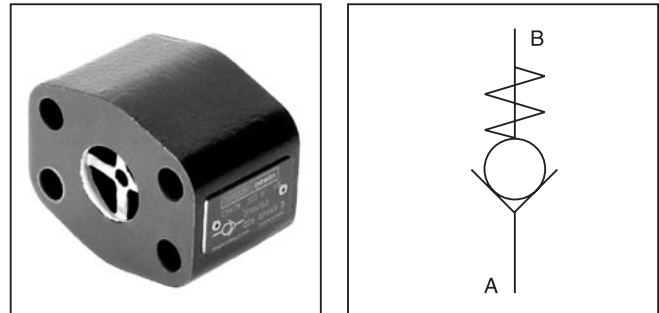
Operation

The ball is held on its seat by a spring under zero pressure condition. When flow is increased to the cracking pressure, free flow is allowed from port A to port B. Blocked flow is created when operating pressure and spring on Port B exceed pressure on port A.

Features

- Direct operated check valve
- SAE 61 and SAE 62 flanges
- 4 sizes (SAE 3/4", 1", 1 1/4", 1 1/2")
- 3 springs
- 2 different seal configurations

Ordering Information



* For SAE 62 only.

Weight:

C5V06	0.6 kg (1.3 lbs.)
C5V08	0.9 kg (2.0 lbs.)
C5V10	1.3 kg (2.9 lbs.)
C5V12	1.8 kg (4.0 lbs.)

WARNING: This product can expose you to chemicals including Lead, Nickel (Metallic), or 1,3-Butadiene which are known to the State of California to cause cancer, and Lead or 1,3-Butadiene which is known to the State of California to cause birth defects and other reproductive harm. For more information go to www.P65Warnings.ca.gov.

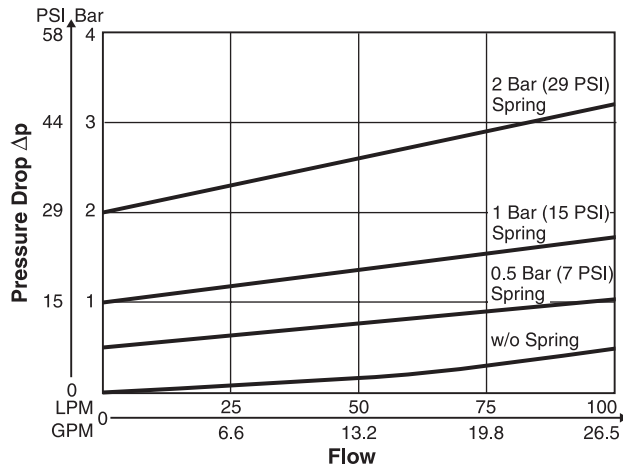
Specifications

General				
Size	06 (3/4")	08 (1")	10 (1 1/4")	12 (1 1/2")
Mounting	2-port in-line flange SAE 61 and SAE 62			
Mounting Position	Unrestricted			
Ambient Temperature	-20°C to +50°C (-4°F to +122°F)			
Hydraulic				
Maximum Operating Pressure				
SAE 61	350 Bar (5075 PSI)	350 Bar (5075 PSI)	280 Bar (4060 PSI)	210 Bar (3045 PSI)
SAE 62	420 Bar (6090 PSI)	420 Bar (6090 PSI)	420 Bar (6090 PSI)	420 Bar (6090 PSI)
Nominal Flow	100 LPM (26.5 GPM)	200 LPM (52.9 GPM)	400 LPM (105.8 GPM)	750 LPM (198.4 GPM)
Fluid	Hydraulic oil in accordance with DIN 51524...51525			
Fluid Temperature	-20°C to +80°C (-4°F to +176°F)			
Viscosity	10 to 650 cSt / mm ² /s (46 to 3013 SSU)			
Permitted Recommended	30 cSt / mm ² /s (139 SSU)			
Filtration	ISO 4406 (1999) 18/16/13 (acc. NAS 1638:7)			

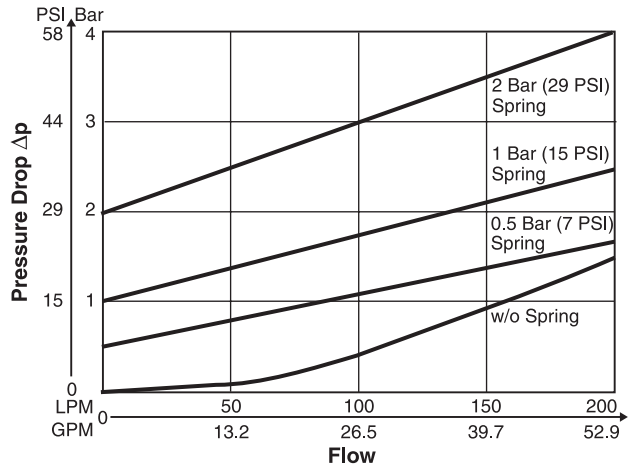


Performance Curves

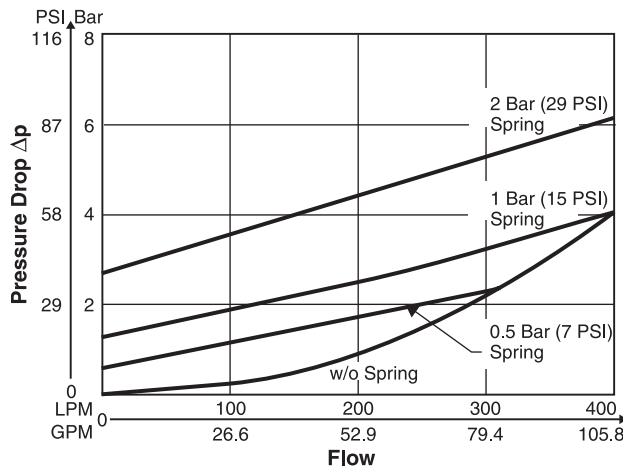
C5V06



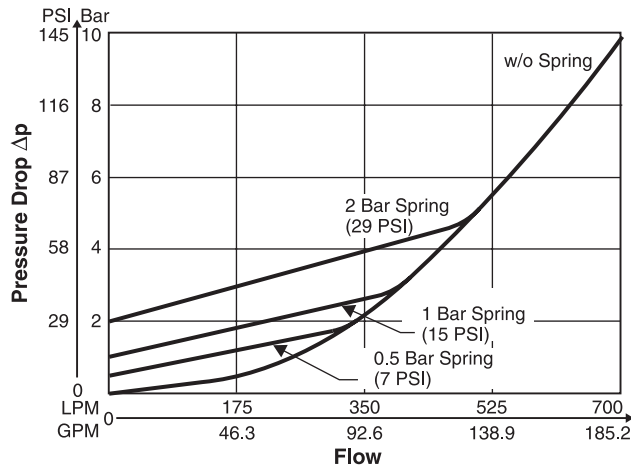
C5V08



C5V10

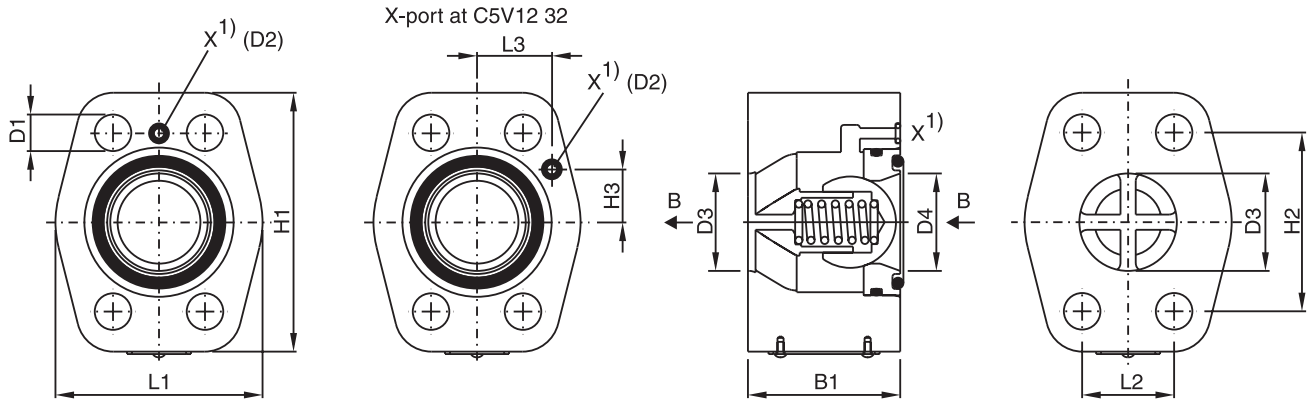


C5V12



Dimensions

Inch equivalents for millimeter dimensions are shown in (**)



Position of O-ring seal according to ordering information

¹⁾ X1 port for C5V*32* (for use with Unloading Valve R5U)

Series	Nominal Size	L1	L2	L3	H1	H2	H3	B1	D1	D2	D3 + 0.8	D4	
C5V06	3/4"	SAE 61	48.0 (1.89)	22.2 (0.87)	27.2 (1.07)	64.0 (2.52)	47.6 (1.87)	22.4 (0.88)	45.0 (1.77)	10.5 (0.41)	Ø3.0 (0.12)	19.0 (0.75)	19.0 (0.75)
		SAE 62	48.0 (1.89)	23.8 (0.94)	27.2 (1.07)	64.0 (2.52)	50.8 (2.00)	22.4 (0.88)	45.0 (1.77)	10.5 (0.41)	-	19.0 (0.75)	19.0 (0.75)
C5V08	1"	SAE 61	60.0 (2.36)	26.2 (1.03)	27.2 (1.07)	74.0 (2.91)	52.4 (2.06)	22.4 (0.88)	45.0 (1.77)	10.5 (0.41)	Ø3.0 (0.12)	25.0 (0.98)	25.0 (0.98)
		SAE 62	60.0 (2.36)	27.8 (1.09)	27.2 (1.07)	74.0 (2.91)	57.2 (2.25)	22.4 (0.88)	45.0 (1.77)	12.5 (0.49)	-	25.0 (0.98)	25.0 (0.98)
C5V10	1 1/4"	SAE 61	68.0 (2.68)	30.2 (1.19)	27.2 (1.07)	85.0 (3.35)	58.7 (2.31)	22.4 (0.88)	50.0 (1.97)	12.5 (0.49)	Ø3.0 (0.12)	32.0 (1.26)	32.0 (1.26)
		SAE 62	68.0 (2.68)	31.8 (1.25)	27.2 (1.07)	85.0 (3.35)	66.7 (2.63)	22.4 (0.88)	50.0 (1.97)	13.5* (0.53)	-	32.0 (1.26)	32.0 (1.26)
C5V12	1 1/2"	SAE 61	80.0 (3.15)	35.7 (1.41)	27.2 (1.07)	104.0 (4.09)	69.8 (2.75)	22.4 (0.88)	50.0 (1.97)	13.5 (0.53)	Ø3.0 (0.12)	42.0 (1.65)	38.0 (1.50)
		SAE 62	80.0 (3.15)	36.5 (1.44)	27.2 (1.07)	104.0 (4.09)	79.4 (3.13)	22.4 (0.88)	50.0 (1.97)	17.0 (0.67)	-	42.0 (1.65)	38.0 (1.50)

* D1 = 15 (0.59) at option code 019 for M14 mounting screws.

Seal Kits		
NG	Nitrile	Fluorocarbon
3	S26-75409-0	S26-75409-5
6	S26-75410-0	S26-75410-5
10	S26-75411-0	S26-75411-5
12	S26-75412-0	S26-75412-5

E