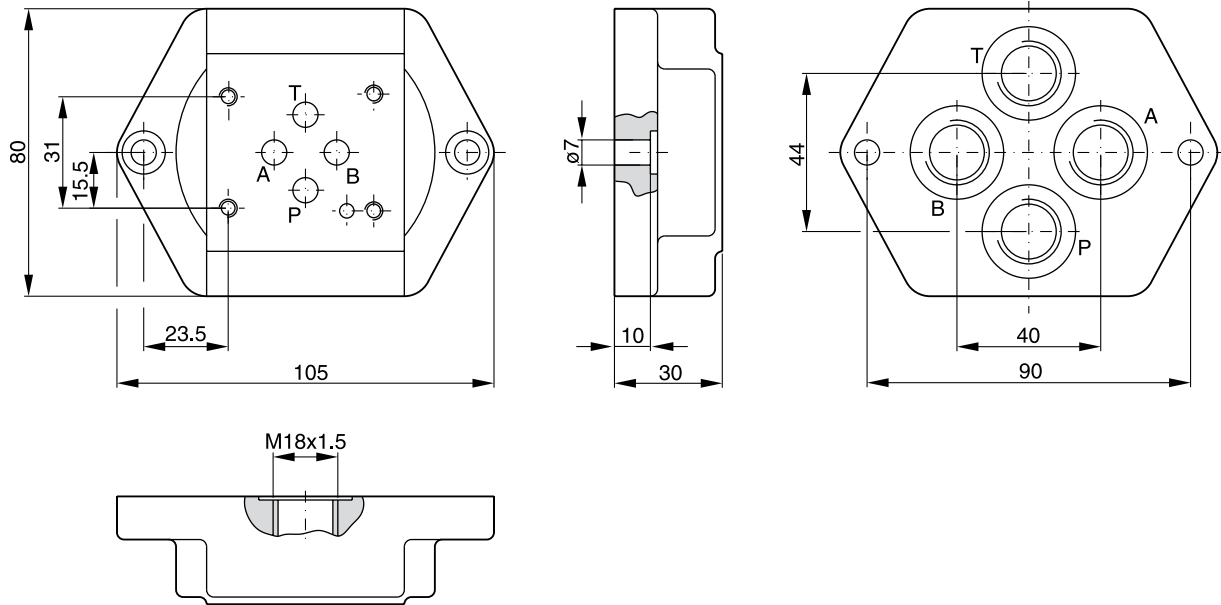


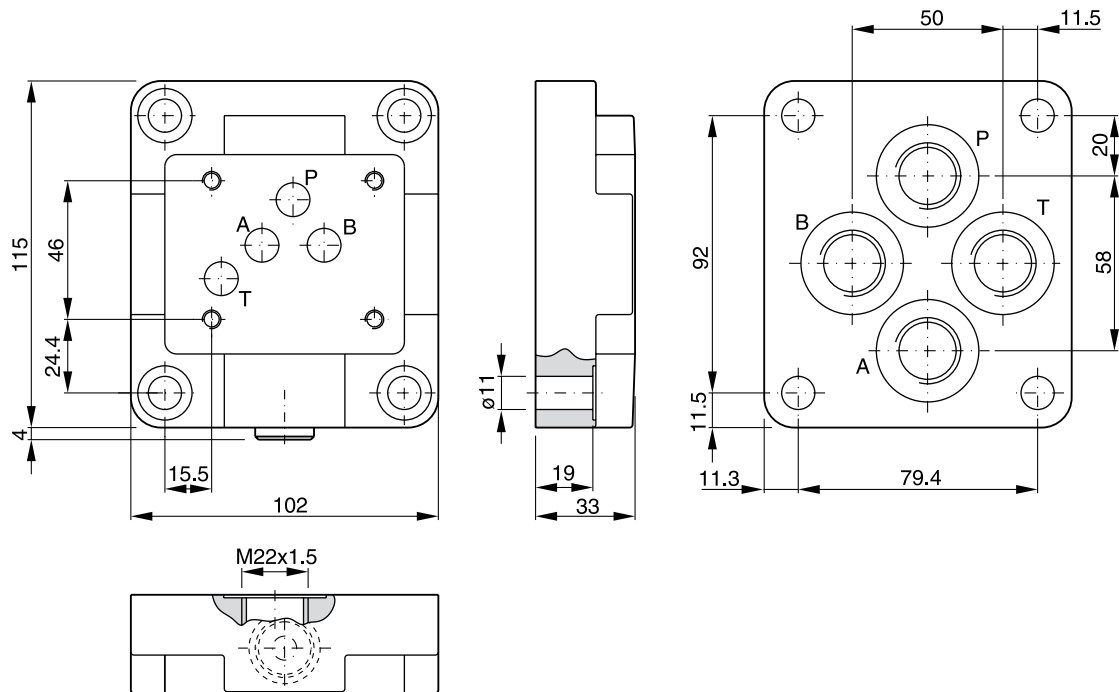
# Parker Series A Subplates for Directional Control Valves Service Manual

Valve size DIN NG06, CETOP 03, NFPA D03



Order code	
<b>A 064 M</b>	P, A, B and T = M18x1.5 as per ISO 6149

Valve size DIN NG10, CETOP 05, NFPA D05



Order code	
<b>A 104 M</b>	P, A, B and T = M22x1.5 as per ISO 6149

**Bold letters =**  
Short-term availability

