

Parker Series CV Covers for 2-Way Slip-In Cartridge Valve Service Manual

Ordering Information

C
Cover

Nominal
Size

V
Cover with
Shuttle Valve

A
Without
Additional
Option

① ② ③ ④
Orifice / Choke

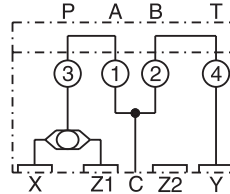
Seals

Design
Series
not required
for ordering

Code	Description
016	NG16
025	NG25
032	NG32
040	NG40
050	NG50
063	NG63

Code	Description
N	Nitrile
V	Fluorocarbon

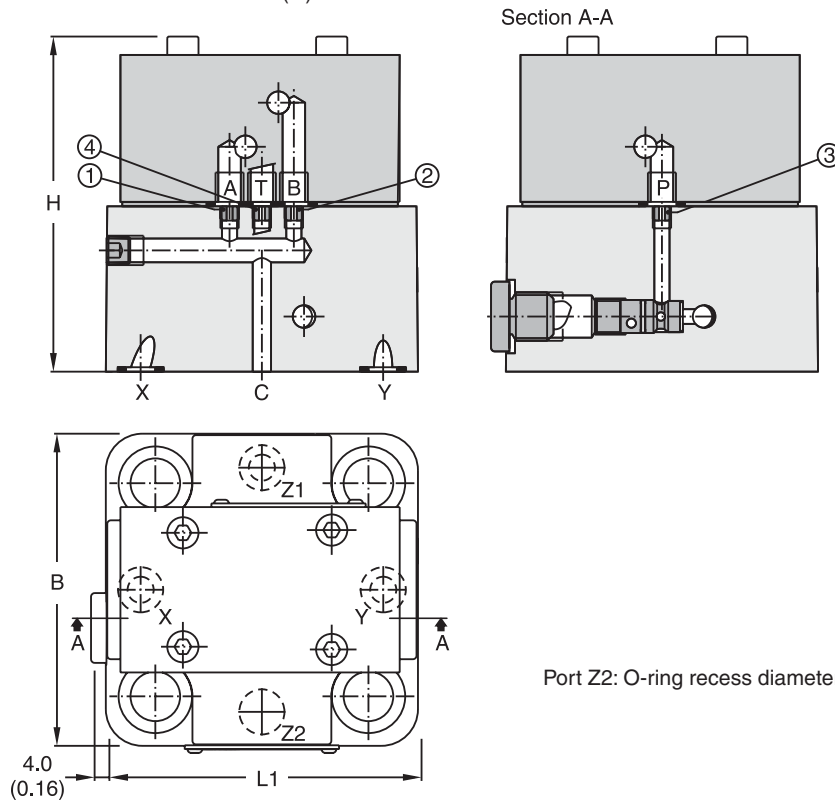
Code	Description
99	Without Orifice, Open Orifice Options



For orifice recommendations, bolt and seal kits, see Accessories.

Dimensions

Inch equivalents for millimeter dimensions are shown in (**)



Size	B	H	L1	Orifice Thread			
				①	②	③	④
NG16	65.0 (2.56)	86.5 (3.41)	85.0 (3.35)	M5	M5	M5	M5
NG25	85.0 (3.35)	91.5 (3.60)	85.0 (3.35)	M5	M5	M5	M5
NG32	102.0 (4.02)	96.5 (3.80)	102.0 (4.02)	M5	M5	M5	M5
NG40	125.0 (4.92)	106.5 (4.19)	125.0 (4.92)	M6	M6	M6	M6
NG50	140.0 (5.51)	126.5 (4.98)	140.0 (5.51)	M8	M8	M8	M8
NG63	180.0 (7.09)	141.0 (5.55)	180.0 (7.09)	M8	M8	M8	M8