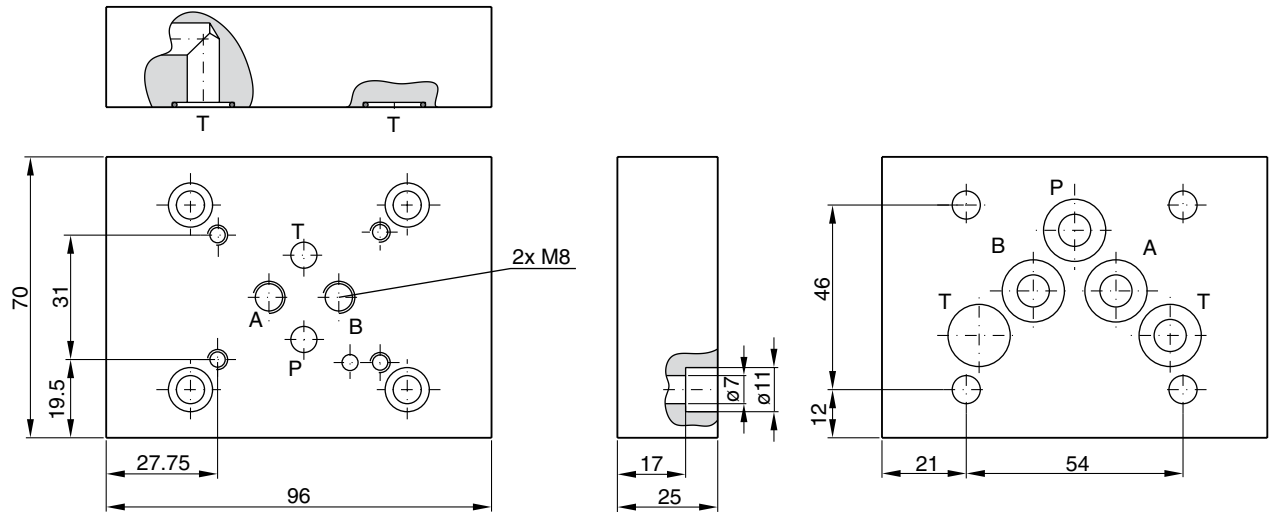


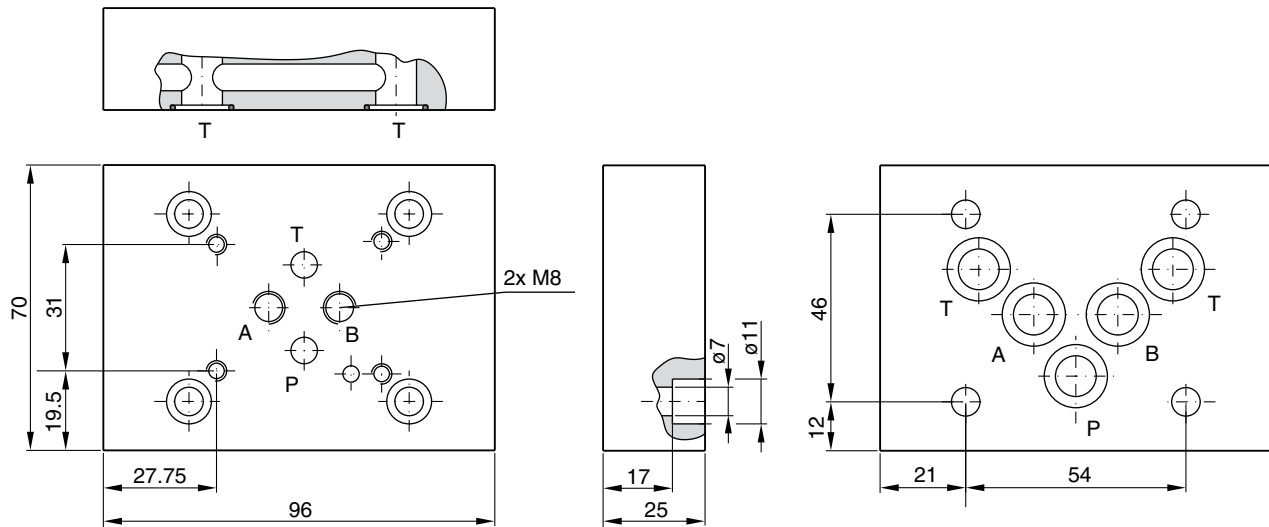
Parker Series PADA Adaptor Plates Service Manual

Adaptor plate PADA 1007-AA-BB, CETOP 05/03, nominal size NG10 to NG06



| Symbol | Ordering code | Bolt kit | Bolt dimensions | Torque |
|--------|--|----------|---------------------------|---------------|
| | PADA1007-AA-BB CETOP 03/05 (O-rings included in delivery) | BK 408 | 4x M6x25 ISO 4762-12.9 | 13.2 Nm ±15 % |

Adaptor plate PADA 1007/A-B/B-A, CETOP 03/05, nominal size NG10 to NG06



| Symbol | Ordering code | Bolt kit | Bolt dimensions | Torque |
|--------|--|----------|---------------------------|---------------|
| | PADA1007/A-B/B-A CETOP 03/05 (O-rings included in delivery) | BK 408 | 4x M6x25 ISO 4762-12.9 | 13.2 Nm ±15 % |

**Bold letters =
Short-term availability**

