

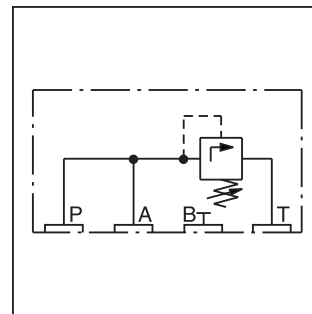
# Parker Series RPDM 2-Way Slip-In Cartridge Valve Service Manual

Catalog HY14-3200/US

## Technical Information

**Pilot Valve with Pressure Relief**  
**Function R06M**

**Subplate Mounting NG6**  
(see Combination Examples)  
MTTF<sub>D</sub> value 150 years



## Ordering Information

**R06M**



Pressure Range

| Code | Description        |
|------|--------------------|
| 10   | 105 Bar (1523 PSI) |
| 17   | 175 Bar (2538 PSI) |
| 21   | 210 Bar (3045 PSI) |
| 25   | 250 Bar (3625 PSI) |
| 35   | 350 Bar (5075 PSI) |



Pressure Adjustment

| Code | Description          |
|------|----------------------|
| S    | Hand knob (standard) |
| L    | Key lock             |

**4**

Pilot Oil



Seal

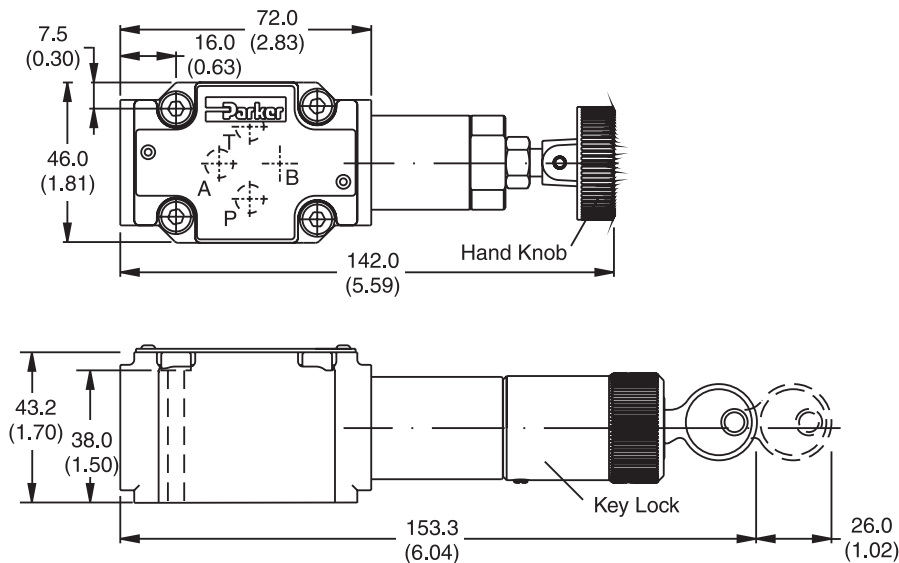
| Code | Description  |
|------|--------------|
| N    | Nitrile      |
| V    | Fluorocarbon |



Design Series

NOTE:  
Not required when ordering.

## Dimensions R06M



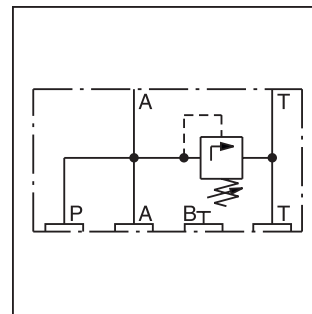
**Replaces DSDA (P07)**

**Pilot Valve with Pressure Relief  
 Function RS06M**

**Sandwich Plate Mounting NG6**

(see Combination Examples)

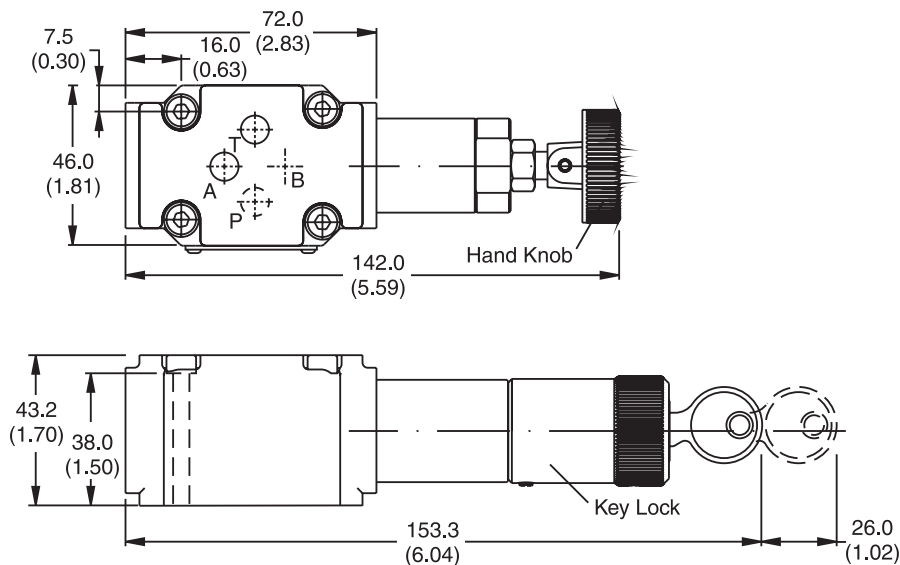
MTTF<sub>D</sub> value 150 years



**Ordering Information**

| <b>RS06M</b>   | □<br>Pressure Range  | □<br>Pressure Adjustment | <b>4</b><br>Pilot Oil | □<br>Seal          | □ □<br>Design Series<br>NOTE:<br>Not required when ordering. |                    |    |                    |    |                    |    |                    |   |      |             |   |                      |   |          |  |      |             |   |         |   |              |  |  |  |
|--|----------------------|--------------------------|-----------------------|--------------------|--|--------------------|----|--------------------|----|--------------------|----|--------------------|---|------|-------------|---|----------------------|---|----------|--|------|-------------|---|---------|---|--------------|--|--|--|
| <table border="1"> <thead> <tr> <th>Code</th> <th>Description</th> </tr> </thead> <tbody> <tr> <td>10</td> <td>105 Bar (1523 PSI)</td> </tr> <tr> <td>17</td> <td>175 Bar (2538 PSI)</td> </tr> <tr> <td>21</td> <td>210 Bar (3045 PSI)</td> </tr> <tr> <td>25</td> <td>250 Bar (3625 PSI)</td> </tr> <tr> <td>35</td> <td>350 Bar (5075 PSI)</td> </tr> </tbody> </table> | Code                 | Description              | 10                    | 105 Bar (1523 PSI) | 17   | 175 Bar (2538 PSI) | 21 | 210 Bar (3045 PSI) | 25 | 250 Bar (3625 PSI) | 35 | 350 Bar (5075 PSI) | <table border="1"> <thead> <tr> <th>Code</th> <th>Description</th> </tr> </thead> <tbody> <tr> <td>S</td> <td>Hand knob (standard)</td> </tr> <tr> <td>L</td> <td>Key lock</td> </tr> </tbody> </table> | Code | Description | S | Hand knob (standard) | L | Key lock | <table border="1"> <thead> <tr> <th>Code</th> <th>Description</th> </tr> </thead> <tbody> <tr> <td>N</td> <td>Nitrile</td> </tr> <tr> <td>V</td> <td>Fluorocarbon</td> </tr> </tbody> </table> | Code | Description | N | Nitrile | V | Fluorocarbon |  |  |  |
| Code   | Description          |                          |                       |                    |  |                    |    |                    |    |                    |    |                    |   |      |             |   |                      |   |          |  |      |             |   |         |   |              |  |  |  |
| 10   | 105 Bar (1523 PSI)   |                          |                       |                    |  |                    |    |                    |    |                    |    |                    |   |      |             |   |                      |   |          |  |      |             |   |         |   |              |  |  |  |
| 17   | 175 Bar (2538 PSI)   |                          |                       |                    |  |                    |    |                    |    |                    |    |                    |   |      |             |   |                      |   |          |  |      |             |   |         |   |              |  |  |  |
| 21   | 210 Bar (3045 PSI)   |                          |                       |                    |  |                    |    |                    |    |                    |    |                    |   |      |             |   |                      |   |          |  |      |             |   |         |   |              |  |  |  |
| 25   | 250 Bar (3625 PSI)   |                          |                       |                    |  |                    |    |                    |    |                    |    |                    |   |      |             |   |                      |   |          |  |      |             |   |         |   |              |  |  |  |
| 35   | 350 Bar (5075 PSI)   |                          |                       |                    |  |                    |    |                    |    |                    |    |                    |   |      |             |   |                      |   |          |  |      |             |   |         |   |              |  |  |  |
| Code   | Description          |                          |                       |                    |  |                    |    |                    |    |                    |    |                    |   |      |             |   |                      |   |          |  |      |             |   |         |   |              |  |  |  |
| S  | Hand knob (standard) |                          |                       |                    |  |                    |    |                    |    |                    |    |                    |   |      |             |   |                      |   |          |  |      |             |   |         |   |              |  |  |  |
| L  | Key lock             |                          |                       |                    |  |                    |    |                    |    |                    |    |                    |   |      |             |   |                      |   |          |  |      |             |   |         |   |              |  |  |  |
| Code   | Description          |                          |                       |                    |  |                    |    |                    |    |                    |    |                    |   |      |             |   |                      |   |          |  |      |             |   |         |   |              |  |  |  |
| N  | Nitrile              |                          |                       |                    |  |                    |    |                    |    |                    |    |                    |   |      |             |   |                      |   |          |  |      |             |   |         |   |              |  |  |  |
| V  | Fluorocarbon         |                          |                       |                    |  |                    |    |                    |    |                    |    |                    |   |      |             |   |                      |   |          |  |      |             |   |         |   |              |  |  |  |

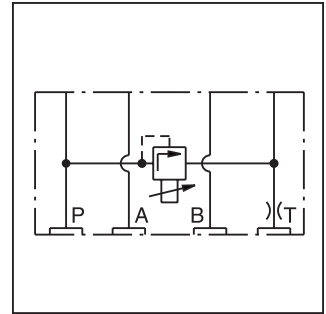
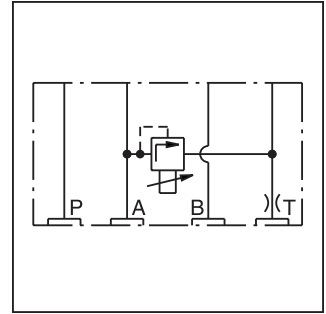
**Dimensions RS06M**



**Replaces DSDA (Z07)**

**Pilot Valve with Proportional Relief  
 Function RPDM2\***  
**Sandwich Mounting NG6**  
 (see Combination Examples)  
 MTTF<sub>D</sub> value 150 years

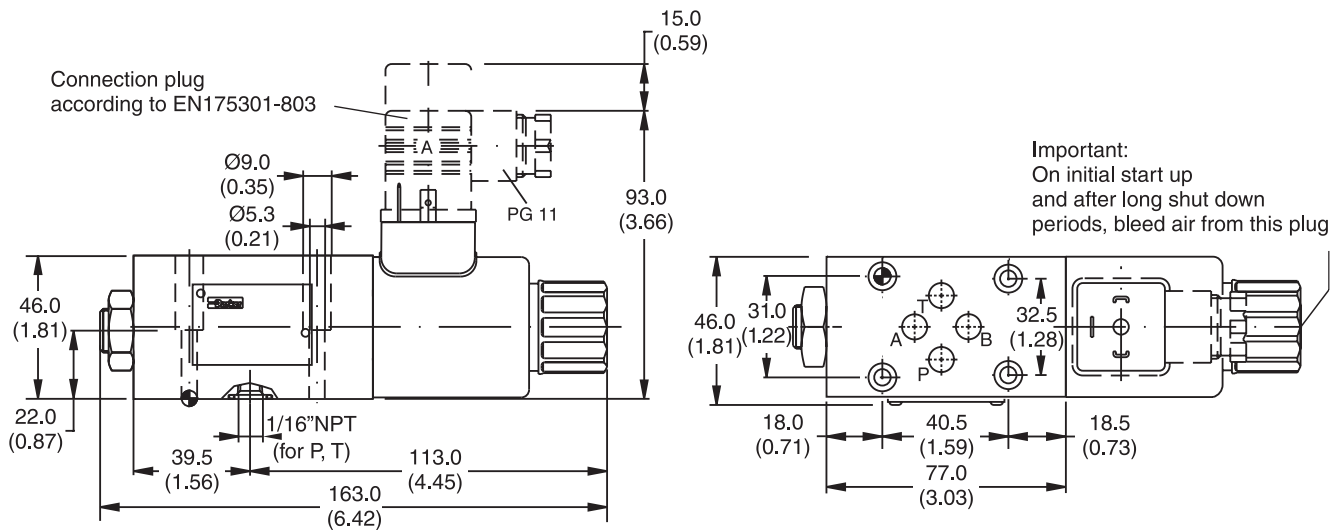
\* For technical details see Series RE06M\*W.



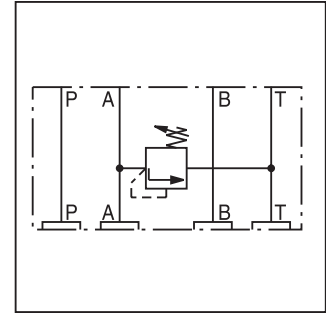
**Ordering Information**

|             |                         |                         |                         |                  |                   |                                      |
|-------------|-------------------------|-------------------------|-------------------------|------------------|-------------------|--------------------------------------|
| <b>RPDM</b> | <b>2</b>                |                         |                         |                  | <b>V</b>          |                                      |
|             | Pressure Adjustment     | Pressure Relief         | Pressure Range          | Solenoid Voltage | Seal Fluorocarbon | Design Series                        |
|             |                         |                         |                         |                  |                   | NOTE:<br>Not required when ordering. |
|             | <b>Code Description</b> | <b>Code Description</b> | <b>Code Description</b> |                  |                   |                                      |
|             | AT A to T               | 10 105 Bar (1523 PSI)   | K 12V, 2.3A             |                  |                   |                                      |
|             | PT P to T               | 17 175 Bar (2538 PSI)   | X 16V, 1.3A             |                  |                   |                                      |
|             |                         | 25 250 Bar (3625 PSI)   |                         |                  |                   |                                      |
|             |                         | 35 350 Bar (5075 PSI)   |                         |                  |                   |                                      |

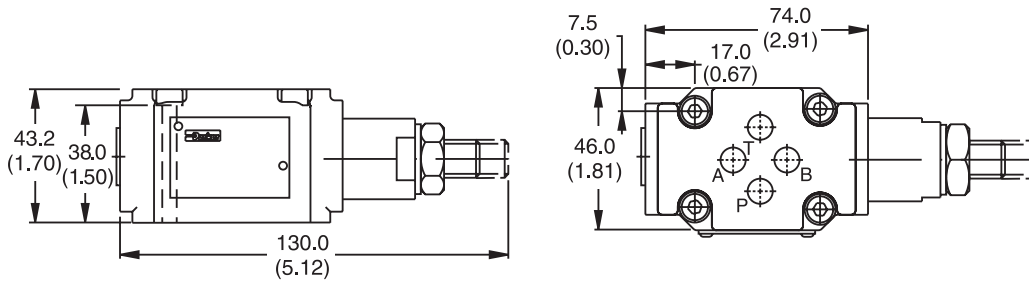
**Dimensions RPDM2**



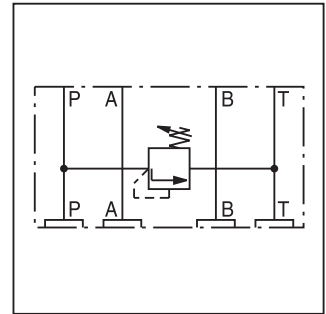
**Sandwich Valve with Pressure Relief  
 Function ZUD\*AT\*Z\***  
**Sandwich Plate Mounting NG6**  
 (see Combination Examples)  
 MTTF<sub>D</sub> value 150 years



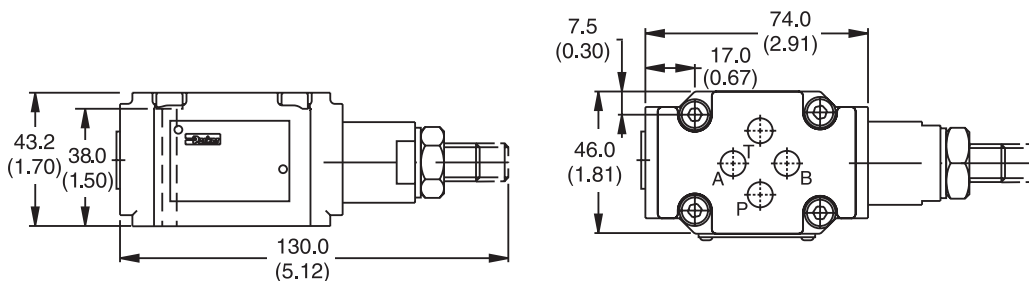
|             |                    |                |                               |             |                    |
|-------------|--------------------|----------------|-------------------------------|-------------|--------------------|
| □           | —                  | <b>ZUDB1AT</b> | □                             | <b>Z07</b>  | □                  |
| Seal        |                    |                | Pressure<br>Adjustment        |             | Pressure<br>Range  |
| <b>Code</b> | <b>Description</b> | <b>Code</b>    | <b>Description</b>            | <b>Code</b> | <b>Description</b> |
| Omit        | Nitrile            | 2              | Hexagon Screw<br>with Locknut | B           | 70 Bar (1015 PSI)  |
| V           | Fluorocarbon       | 61             | Knob E10 Lock                 | E           | 175 Bar (2538 PSI) |
|             |                    |                |                               | G           | 250 Bar (3625 PSI) |
|             |                    |                |                               | K           | 350 Bar (5075 PSI) |



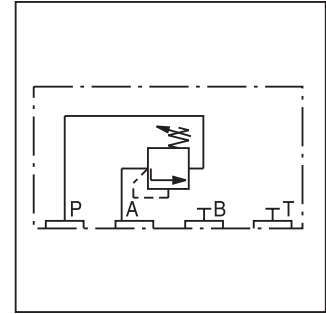
**Sandwich Valve with Pressure Relief  
 Function ZUD\*PT\*Z\***  
**Sandwich Plate Mounting NG6**  
 (see Combination Examples)  
 MTTF<sub>D</sub> value 150 years



|             |                    |                |                               |             |                    |
|-------------|--------------------|----------------|-------------------------------|-------------|--------------------|
| □           | —                  | <b>ZUDB1PT</b> | □                             | <b>Z07</b>  | □                  |
| Seal        |                    |                | Pressure<br>Adjustment        |             | Pressure<br>Range  |
| <b>Code</b> | <b>Description</b> | <b>Code</b>    | <b>Description</b>            | <b>Code</b> | <b>Description</b> |
| Omit        | Nitrile            | 2              | Hexagon Screw<br>with Locknut | B           | 70 Bar (1015 PSI)  |
| V           | Fluorocarbon       | 61             | Knob E10 Lock                 | E           | 175 Bar (2538 PSI) |
|             |                    |                |                               | G           | 250 Bar (3625 PSI) |
|             |                    |                |                               | K           | 350 Bar (5075 PSI) |



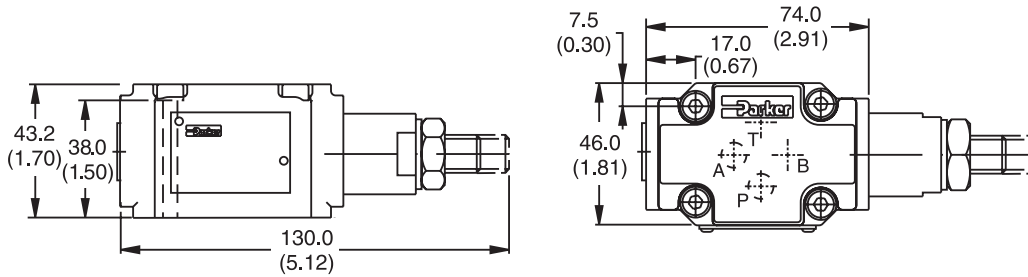
**Pilot Valve with Preload Function DSB\*P\***  
**Subplate Mounting NG6**  
 (see Combination Examples)  
 MTTFD value 150 years



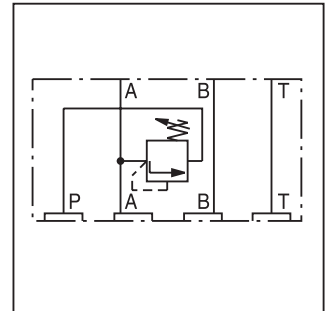
|                               |                |  |            |   |  |
|-------------------------------|----------------|--|------------|---|--|
| <input type="checkbox"/> Seal | <b>DSBA100</b> | <input type="checkbox"/> Pressure Adjustment | <b>P07</b> | <input type="checkbox"/> Pressure Range |  |
|-------------------------------|----------------|--|------------|---|--|

| Code | Description  | Code | Description                | Code | Description        |
|------|--------------|------|----------------------------|------|--------------------|
| Omit | Nitrile      | 2    | Hexagon Screw with Locknut | B    | 70 Bar (1015 PSI)  |
| V    | Fluorocarbon | 61   | Knob E10 Lock              | E    | 175 Bar (2538 PSI) |
|      |              |      |                            | G    | 250 Bar (3625 PSI) |
|      |              |      |                            | K    | 350 Bar (5075 PSI) |



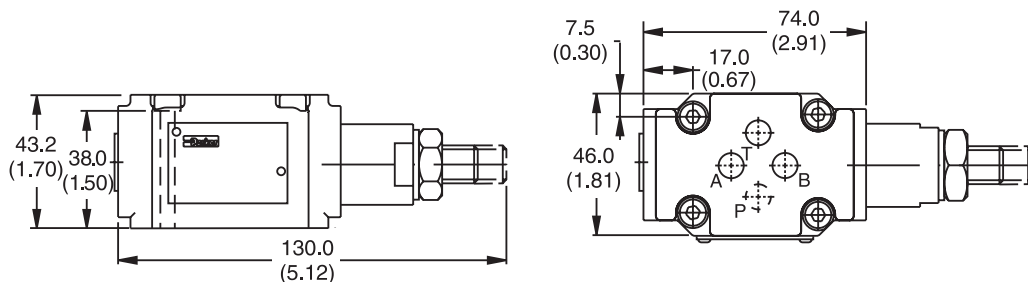
**Pilot Valve with Preload Function DSB\*Z\***  
**Sandwich Plate Mounting NG6**  
 (see Combination Examples)  
 MTTFD value 150 years



|                               |                |  |            |   |  |
|-------------------------------|----------------|--|------------|---|--|
| <input type="checkbox"/> Seal | <b>DSBA100</b> | <input type="checkbox"/> Pressure Adjustment | <b>Z07</b> | <input type="checkbox"/> Pressure Range |  |
|-------------------------------|----------------|--|------------|---|--|

| Code | Description  | Code | Description                | Code | Description        |
|------|--------------|------|----------------------------|------|--------------------|
| Omit | Nitrile      | 2    | Hexagon Screw with Locknut | B    | 70 Bar (1015 PSI)  |
| V    | Fluorocarbon | 61   | Knob E10 Lock              | E    | 175 Bar (2538 PSI) |
|      |              |      |                            | G    | 250 Bar (3625 PSI) |
|      |              |      |                            | K    | 350 Bar (5075 PSI) |



**Pilot Valve with Unloading Function UR06M  
 Subplate Mounting NG6**  
 (see Combination Examples)  
 MTTF<sub>D</sub> value 150 years

|           |                |                     |                          |                          |          |                          |
|-----------|----------------|---------------------|--------------------------|--------------------------|----------|--------------------------|
| <b>UR</b> | <b>06</b>      | <b>M</b>            | <input type="checkbox"/> | <input type="checkbox"/> | <b>4</b> | <input type="checkbox"/> |
|           | Pressure Range | Pressure Adjustment | Pilot Oil Drain Internal | Seal                     |          |                          |

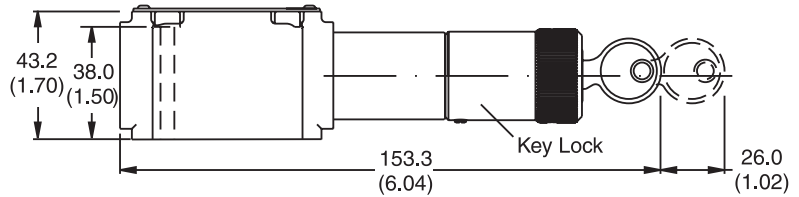
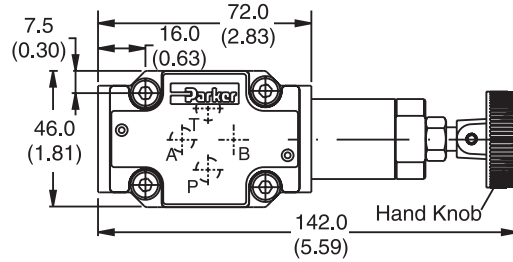
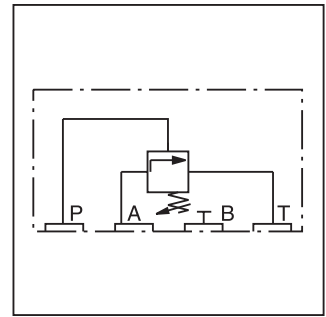
| Code | Description        |
|------|--------------------|
| 07   | 70 Bar (1015 PSI)  |
| 17   | 175 Bar (2538 PSI) |
| 25   | 250 Bar (3625 PSI) |
| 35   | 350 Bar (5075 PSI) |

| Code | Description |
|------|-------------|
| S    | Hand knob   |
| L    | Key lock    |

| Code | Description  |
|------|--------------|
| N    | Nitrile      |
| V    | Fluorocarbon |



**Replaces DAFA (P07)**

**Pilot Valve with Unloading Function US06M  
 Subplate Mounting NG6**  
 (see Combination Examples)  
 MTTF<sub>D</sub> value 150 years

|           |                |                     |                          |                          |          |                          |
|-----------|----------------|---------------------|--------------------------|--------------------------|----------|--------------------------|
| <b>US</b> | <b>06</b>      | <b>M</b>            | <input type="checkbox"/> | <input type="checkbox"/> | <b>4</b> | <input type="checkbox"/> |
|           | Pressure Range | Pressure Adjustment | Pilot Oil Drain Internal | Seal                     |          |                          |

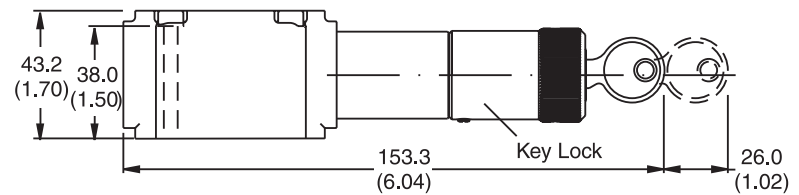
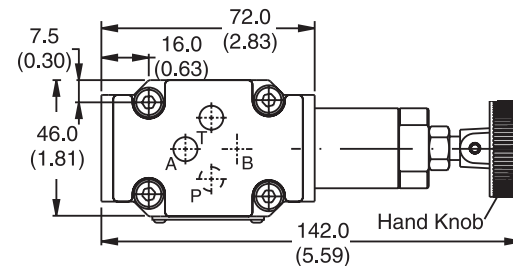
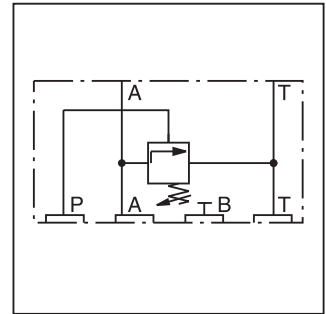
| Code | Description        |
|------|--------------------|
| 07   | 70 Bar (1015 PSI)  |
| 17   | 175 Bar (2538 PSI) |
| 25   | 250 Bar (3625 PSI) |
| 35   | 350 Bar (5075 PSI) |

| Code | Description |
|------|-------------|
| S    | Hand knob   |
| L    | Key lock    |

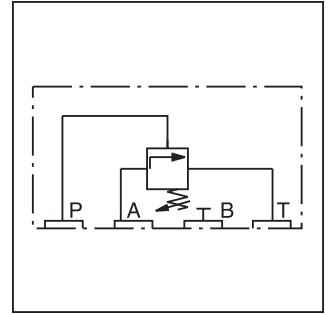
  

| Code | Description  |
|------|--------------|
| N    | Nitrile      |
| V    | Fluorocarbon |



**Replaces DAFA (Z07)**

**Pilot Valve with Pressure Sequence  
 Function S06M  
 Subplate Mounting NG6  
 (see Combination Examples)  
 MTTF<sub>D</sub> value 150 years**



**Ordering Information**

|             |                     |                          |  |           |  |
|-------------|---------------------|--------------------------|--|-----------|--|
| <b>S06M</b> | □<br>Pressure Range | □<br>Pressure Adjustment | <b>4</b><br>Pilot Oil Inlet Internal/Outlet Internal | □<br>Seal | □ □<br>Design Series<br>NOTE:<br>Not required when ordering. |
|-------------|---------------------|--------------------------|--|-----------|--|

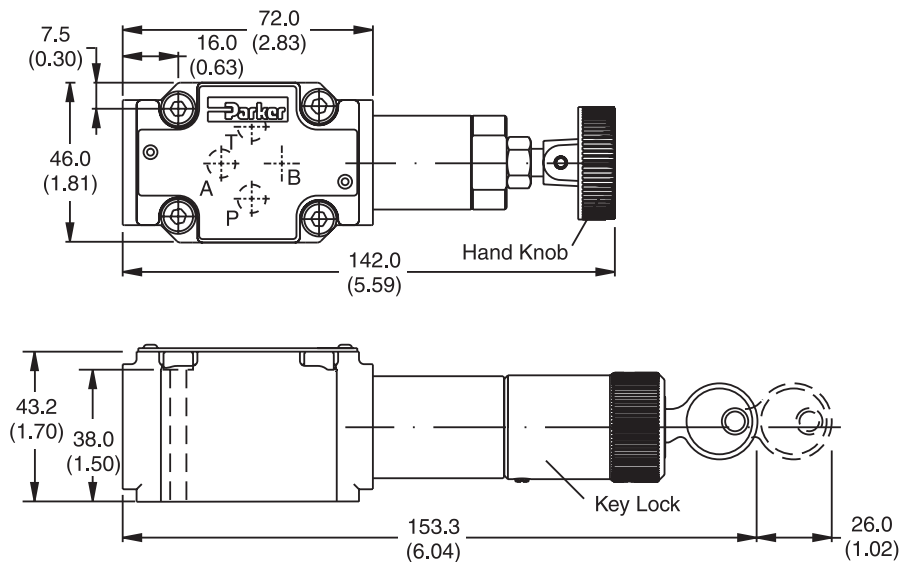
  

| Code | Description        |
|------|--------------------|
| 10   | 105 Bar (1523 PSI) |
| 17   | 175 Bar (2538 PSI) |
| 21   | 210 Bar (3045 PSI) |
| 25   | 250 Bar (3625 PSI) |
| 35   | 350 Bar (5075 PSI) |

| Code | Description          |
|------|----------------------|
| S    | Hand knob (standard) |
| L    | Key lock             |

| Code | Description  |
|------|--------------|
| N    | Nitrile      |
| V    | Fluorocarbon |

**Dimensions S06M**



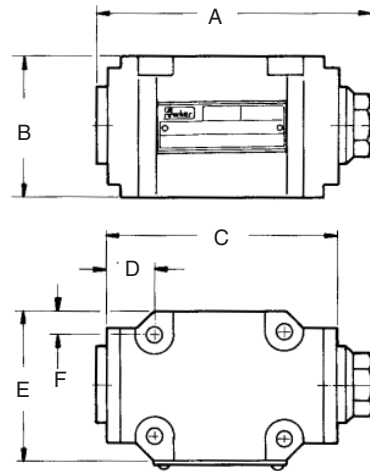
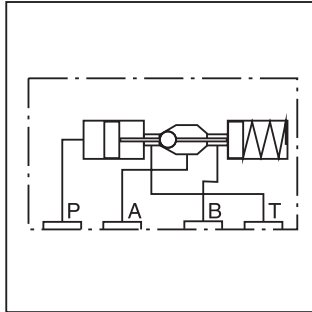
**Replaces DNLA**

**Check Valve  
 Hydraulically Pilot Operated NG6**

Size NG6 with pilot control for subplate assembly

**Ordering Information**

**SVLA1006P07**



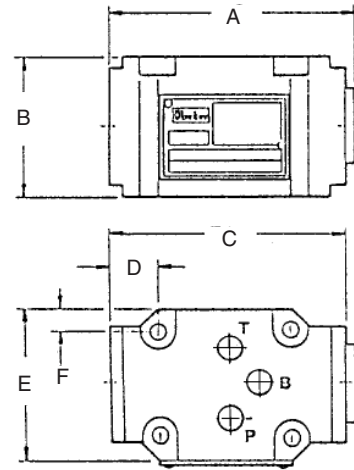
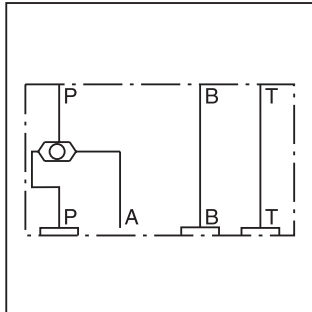
| Dimension | A      | B      | C      | D      | E      | F      |
|-----------|--------|--------|--------|--------|--------|--------|
| mm        | 92.0   | 43.2   | 74.0   | 17.0   | 46.0   | 7.5    |
| (in.)     | (3.62) | (1.70) | (2.91) | (0.67) | (1.81) | (0.30) |

**Shuttle Valve  
 Sandwich Plate NG6**

Size NG6 with pilot control for subplate assembly

**Ordering Information**

**ZSRA1PP0Z07**



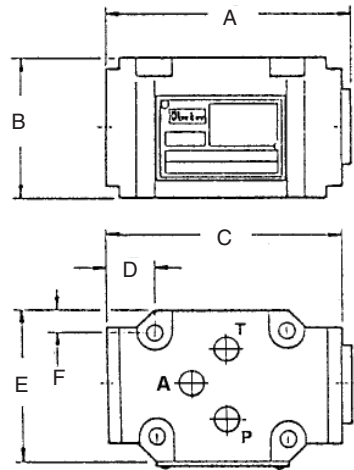
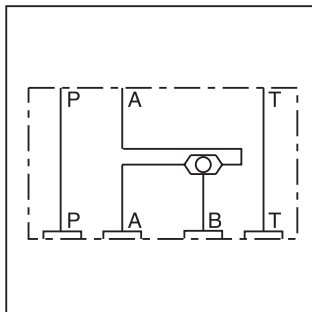
| Dimension | A      | B      | C      | D      | E      | F      |
|-----------|--------|--------|--------|--------|--------|--------|
| mm        | 80.0   | 43.2   | 74.0   | 17.0   | 46.0   | 7.5    |
| (in.)     | (3.15) | (1.70) | (2.91) | (0.67) | (1.81) | (0.30) |

**Shuttle Valve  
 Sandwich Plate NG6**

Size NG6 with pilot control for subplate assembly

**Ordering Information**

**ZSRB1AA0Z07**



| Dimension | A      | B      | C      | D      | E      | F      |
|-----------|--------|--------|--------|--------|--------|--------|
| mm        | 80.0   | 43.2   | 74.0   | 17.0   | 46.0   | 7.5    |
| (in.)     | (3.15) | (1.70) | (2.91) | (0.67) | (1.81) | (0.30) |

Accessories.indd, ddp

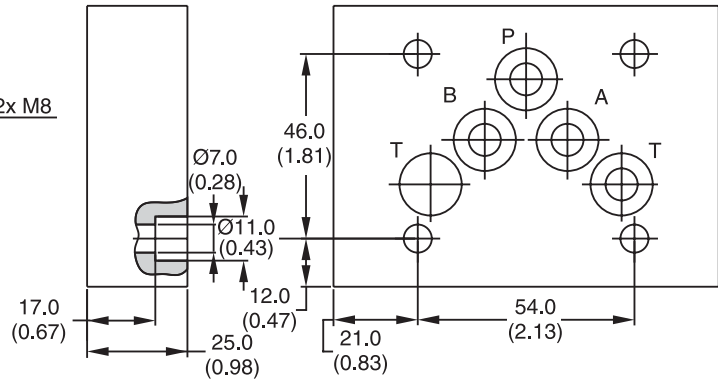
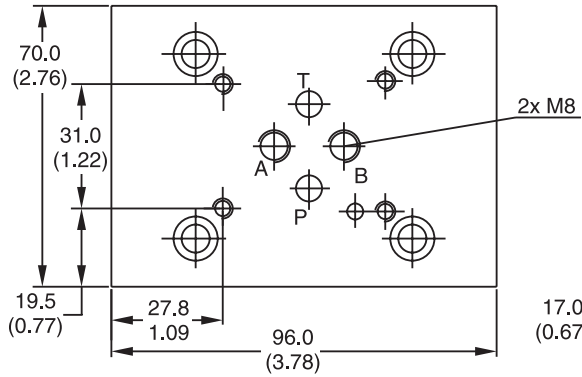
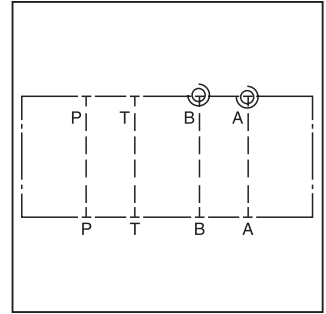
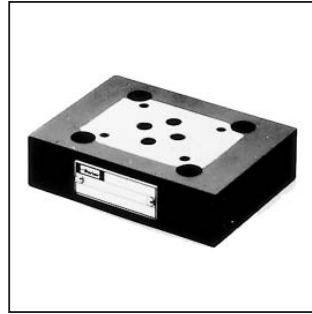


**Adapter Plate**

Size NG6 to NG10

**Ordering Information**

**PADA1007/A-A/B-B**

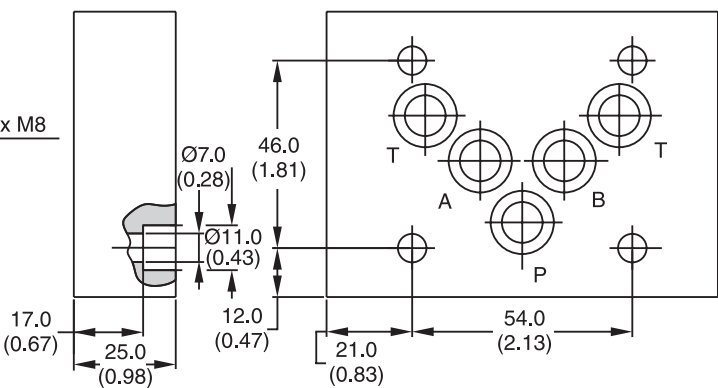
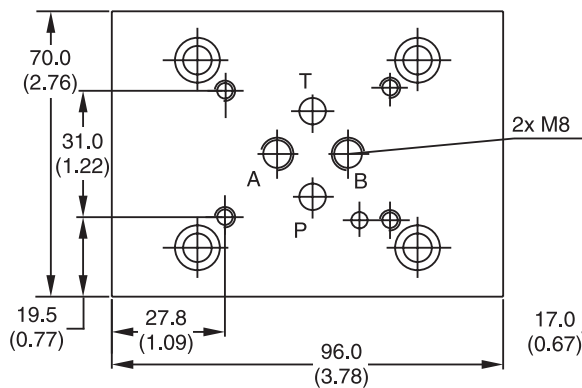
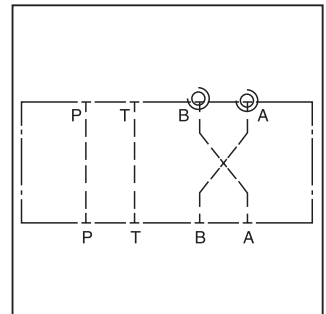


**Adapter Plate**

Size NG6 to NG10

**Ordering Information**

**PADA1007/A-B/B-A**



**Attention:**

For NG50 and larger: If pilot system NG06 is used, mount adapter plate PADA 1007/A-B/B-A or PADA 1007/A-A/B-B (NG10 to NG6) on cover.

Adapter Plate: PADA 1007/A-B/B-A or PADA 1007/A-A/B-B

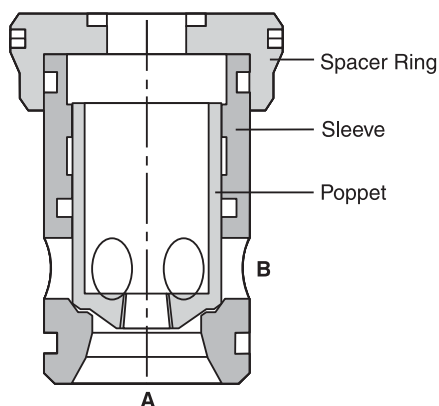
Sealing Kit: SK-PADA 1007

Bolt Kit: BK136

| Symbol  | Type              | Size     | Height               |
|---|-------------------|----------|----------------------|
| <p>CETOP 3 / NG06<br/>                 P A B T Valve Side<br/>                 P A B T Manifold Side<br/>                 CETOP 5 / NG10</p>            | PADA 1007/A-A/B-B | NG10-NG6 | 25.0mm<br>(0.98 in.) |
| <p>CETOP 3 / NG06<br/>                 P A B T Valve Side<br/>                 P A B T Manifold Side<br/>                 CETOP 5 / NG10</p>            | PADA 1007/A-B/B-A | NG10-NG6 | 25.0mm<br>(0.98 in.) |
| <p>P A B T Valve Side<br/>                 P A B T Manifold Side<br/>                 P G1/4 T G1/4</p>   | H06-1044          | NG6      | 30.0mm<br>(1.18 in.) |
| <p>P A B T Valve Side<br/>                 P A B T Manifold Side<br/>                 A G1/4 B G1/4</p>   | H06-1039          | NG6      | 30.0mm<br>(1.18 in.) |
| <p>P A B T Valve Side<br/>                 P A B T Manifold Side<br/>                 P G3/8</p>  | H06-504           | NG6      | 30.0mm<br>(1.18 in.) |
| <p>P A B T Valve Side<br/>                 P A B T Manifold Side<br/>                 T G3/8</p>  | H06-711           | NG6      | 30.0mm<br>(1.18 in.) |
| <p>P A B T Valve Side<br/>                 P A B T Manifold Side<br/>                 M G1/4</p>  | H06-1274          | NG6      | 30.0mm<br>(1.18 in.) |
| <p>P A B T Valve Side<br/>                 P A B T Manifold Side<br/>                 P A B T Valve Side<br/>                 P A B T Manifold Side</p> | H06-1040          | NG6      | 30.0mm<br>(1.18 in.) |

| Symbol | Type                       | Size        | Height                                 |
|--------|----------------------------|-------------|--|
|        | H06DO-1291                 | NG6         | 10.0mm<br>(0.39 in.)                   |
|        | H06DU-814                  | NG6         | 71.3mm<br>(2.81 in.)                   |
|        | SPD2T2SWS35                | NG6         | 25.4mm<br>(1.00 in.)                   |
|        | CS06082N                   | NG6         | 40.3mm<br>(1.59 in.)                   |
|        | SPD2A1*NS35                | NG6         | 19.1mm<br>(0.75 in.)                   |
|        | D51VP071D                  | NG6         | 26.3mm<br>(1.04 in.)                   |
|        | SPD2C1*NS35<br>SPD3C1*NS35 | NG6<br>NG10 | 19.1mm (0.75 in.)<br>19.1mm (0.75 in.) |

**Poppets, Cages, Spacer Rings**



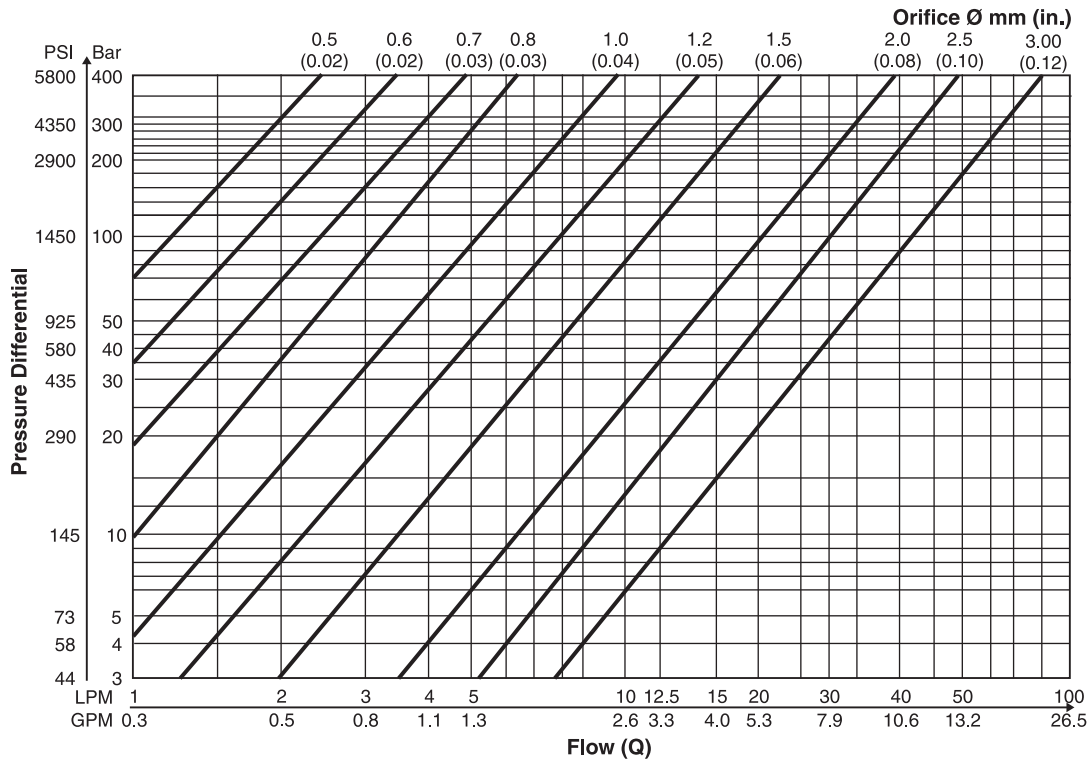
| Size        | NG16        | NG25        | NG32        | NG40        | NG50        | NG63        | NG80        | NG100       |
|-------------|-------------|-------------|-------------|-------------|-------------|-------------|-------------|-------------|
| Poppet 01   | RK-45036369 | RK-45036379 | RK-45036392 | RK-45036409 | RK-45036421 | RK-45036437 | RK-35036449 | RK-35036467 |
| Poppet 04   | RK-45036370 | RK-45036380 | RK-45036395 | RK-45036406 | RK-45036422 | RK-45036436 | RK-35036460 | RK-35036468 |
| Poppet 07   | RK-35037531 | RK-45036964 | RK-45036965 | RK-45036966 | RK-45036967 | RK-45036968 | —           | —           |
| Poppet 08   | RK-45036368 | RK-45036381 | RK-45036391 | RK-45036408 | RK-45036424 | RK-45036438 | RK-35036459 | RK-35036469 |
| CE-Sleeve   | RK-35038871 | RK-35038872 | RK-35038873 | RK-35036403 | RK-35036417 | RK-35036432 | RK-25036452 | RK-25036470 |
| CP-Sleeve   | RK-35039384 | RK-35039385 | RK-35039386 | RK-35039387 | RK-35039388 | RK-35039389 | —           | —           |
| Spacer Ring | RK-35036364 | RK-35036375 | RK-35036393 | RK-35036402 | RK-35036416 | RK-35036435 | RK-25036453 | RK-25036471 |

**Springs, Seals, Fitting Bolts**

| Size                               | NG16                | NG25               | NG32                | NG40                | NG50               | NG63                 | NG80                | NG100               |
|------------------------------------|---------------------|--------------------|---------------------|---------------------|--------------------|----------------------|---------------------|---------------------|
| <b>Spring *</b>                    |                     |                    |                     |                     |                    |                      |                     |                     |
| Type L<br>0.1 Bar (1.5 PSI)        | FK-CE016-L          | FK-CE025-L         | FK-CE032-L          | FK-CE040-L          | FK-CE050-L         | FK-CE063-L           | FK-CE080-L          | FK-CE100-L          |
| Type N<br>0.5 Bar (7.3 PSI)        | FK-CE016-N          | FK-CE025-N         | FK-CE032-N          | FK-CE040-N          | FK-CE050-N         | FK-CE063-N           | FK-CE080-N          | FK-CE100-N          |
| Type S<br>1.6 Bar (23.2 PSI)       | FK-CE016-S          | FK-CE025-S         | FK-CE032-S          | FK-CE040-S          | FK-CE050-S         | FK-CE063-S           | FK-CE080-S          | FK-CE100-S          |
| Type T<br>2.5 Bar (36.3 PSI)       | FK-CE016-T          | FK-CE025-T         | FK-CE032-T          | FK-CE040-T          | FK-CE050-T         | FK-CE063-T           | FK-CE080-T          | FK-CE100-T          |
| Type U<br>4.0 Bar (58.0 PSI)       | FK-CE016-U          | FK-CE025-U         | FK-CE032-U          | FK-CE040-U          | FK-CE050-U         | FK-CE063-U           | FK-CE080-U          | FK-CE100-U          |
| Seal Kits                          |                     |                    |                     |                     |                    |                      |                     |                     |
| Fluorcarbon                        | SK-CBE160V          | SK-CBE250V         | SK-CBE320V          | SK-CBE400V          | SK-CBE500V         | SK-CBE630V           | SK-CBE800V          | SK-CBE1000V         |
| Nitrile                            | SK-CBE160           | SK-CBE250          | SK-CBE320           | SK-CBE400V          | SK-CBE500          | SK-CBE630            | SK-CBE800           | SK-CBE1000          |
| Bolt Kits<br>(DIN 912 12.9)        | BK414<br>4x M8x40   | BK391<br>4x M12x50 | BK415<br>4x M16x55  | BK416<br>4x M20x70  | BK417<br>4x M2x75  | BK418<br>4x M30x100  | BK419<br>4x M24x120 | BK420<br>4x M30x130 |
| Bolt Kits<br>(US)                  | BK84<br>5/16–18x1.5 | BK77<br>1/2–13x2   | BK85<br>5/8–11x2.25 | BK86<br>3/4–10x2.75 | BK87<br>3/4–10x3.0 | BK88<br>1 1/4–7x4.00 | BK135<br>1–8x5.00   | BK90<br>1 1/4–7x5.5 |
| Recommended<br>Torque Nm (lb.-ft.) | 27<br>(19.9)        | 94<br>(69.3)       | 234<br>(172.6)      | 460<br>(339.3)      | 460<br>(339.3)     | 1570<br>(1157.9)     | 790<br>(582.6)      | 1570<br>(1157.9)    |

\* 1 spring kit contains 10 springs  
 Ordering Example: FK-CE016 ⇒ 10 pcs., type U

**Diagram to Choose the Orifice Ø**



Values measured at a viscosity of 40 cSt (187 SSU) and a temperature of 50°C (122°F).

**Orifices**

There are different orifices available to realize different opening / closing velocities.  
 The control volume of each nominal valve size can be found at the CE series.

**Orifice Kits, Sorted by Thread with Different Diameters**

| Orifice Kit | Orifice Kit, sorted by thread with different diameters, consisting of 2 pieces of each marked diameter |            |            |            |            |            |            |            |            |            |            |            |            |  |
|-------------|--|------------|------------|------------|------------|------------|------------|------------|------------|------------|------------|------------|------------|--|
| Ø mm (in.)  | 0.0 (0.0)  | 0.8 (0.03) | 0.9 (0.04) | 1.0 (0.04) | 1.1 (0.04) | 1.2 (0.05) | 1.3 (0.05) | 1.5 (0.06) | 1.8 (0.07) | 2.0 (0.08) | 2.2 (0.09) | 2.5 (0.10) | 3.0 (0.12) |  |
| DK-M4       | x  | x          | x          | x          | x          | x          | x          | x          | -          | x          | -          | -          | -          |  |
| DK-M5       | x  | x          | x          | x          | x          | x          | x          | x          | -          | x          | -          | -          | -          |  |
| DK-M6       | x  | x          | x          | x          | x          | x          | x          | x          | -          | x          | -          | -          | -          |  |
| DK-M8       | x  | -          | -          | x          | -          | x          | -          | x          | x          | x          | x          | x          | -          |  |
| DK-M10x1    | x  | -          | -          | x          | -          | x          | -          | x          | x          | x          | -          | x          | x          |  |
| DK-1/16NPT  | x  | x          | x          | x          | x          | x          | x          | x          | -          | x          | -          | -          | -          |  |
| DK-1/8NPT   | x  | -          | -          | x          | -          | x          | -          | x          | x          | x          | -          | x          | x          |  |

**Orifice Kits, Thread with One Defined Diameter, 20 pieces per Box**

Orifice kits of one size:

Ordering Examples:

DK-M4-06 ⇒ 20 pcs., orifice size 0.8mm (0.03 in.)

DK-M5-10 ⇒ 20 pcs., orifice size 1.0mm (0.04 in.)

DK-M8-12 ⇒ 20 pcs., orifice size 1.2mm (0.05 in.)

Orifice gauge: Order no. DK-05-30

### Removal CE016 to CE063

The extracting tools consist of tee bar, slide hammer, support handle, and expanding collet (Figure 1).

At first the spacer ring is removed. Next, spring and poppet are withdrawn. Finally, the expanding collet is inserted into the sleeve and braced by means of the tee bar. Using the slide hammer, collet and sleeve are extracted from the cavity.

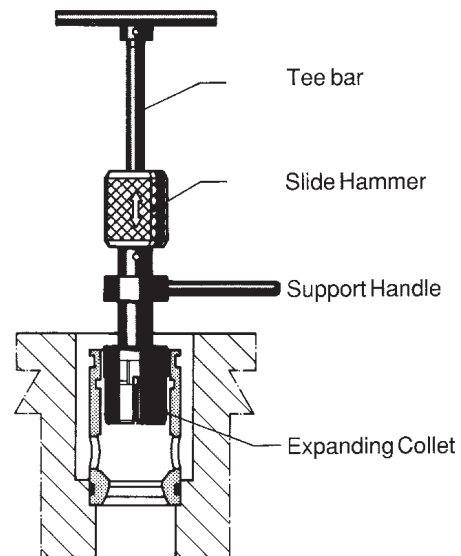


Figure 1

### Ordering Information

| Valve Size     | Order No.      |
|----------------|----------------|
| CE016          | 090 4600 09779 |
| CE025          | 090 4600 09780 |
| CE032          | 090 4600 09781 |
| CE040          | 090 4600 09782 |
| CE050          | 090 4600 09783 |
| CE063          | 090 4600 09784 |
| CE016 to CE063 | 090 4600 09785 |

### Removal CE080 to CE100

The extracting tools consist of spacer ring puller (Figure 4), puller (Figure 3), and puller thrust plate. At first the spacer ring is removed. Next the puller is inserted into the sleeve and aligned by the puller thrust plate. Tightening the nut then extracts the sleeve from the cavity.

### Ordering Information

| Valve Size | Order No.      |
|------------|----------------|
| CE080      | 090 4600 10628 |
| CE100      | 090 4600 10629 |

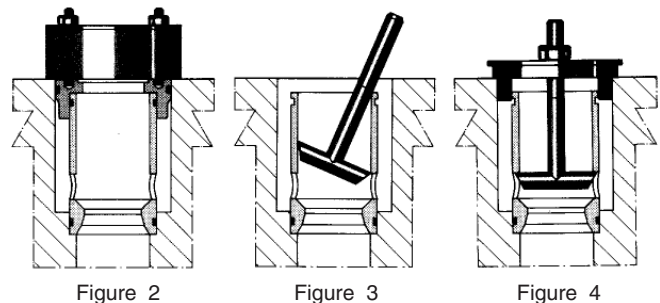


Figure 2

Figure 3

Figure 4

**General Description**

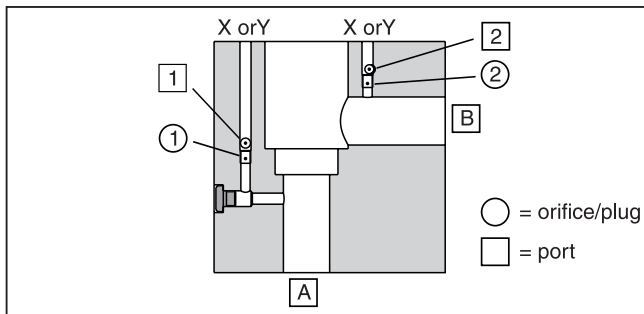
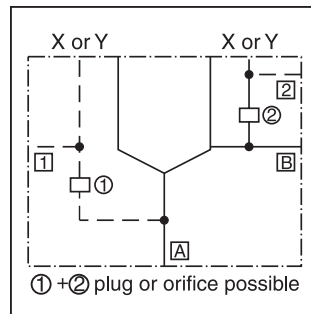
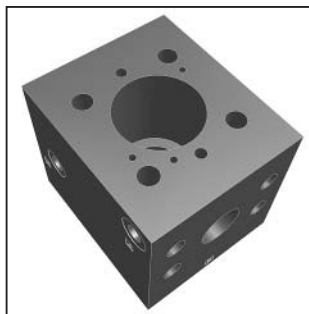
Cartridge Manifold Blocks are bodies for 2/2-way slip-in cartridge valves. They are used in systems with only one cartridge valve without the need to design a specific manifold block.

The pilot ports X and Y can either be connected to A and B or vice versa by changing the mounting position of the cartridge cover.

The wide range of Parker slip-in cartridge valves allows to design solutions for all hydraulic requirements.

**Features**

- Flanges SAE 61 or SAE 62 respectively CETOP square flange.
- 2 options for pilot oil supply and drain.
- 7 sizes.



**Specifications**

| General                    |   |
|----------------------------|---|
| Interface                  | ISO 7368-B*-2-A/B   |
| Mounting Position          | Unrestricted  |
| Maximum Operating Pressure | 138 Bar (2000 PSI) to 420 Bar (6090 PSI) depending on p <sub>max</sub> of flanges                 |
| Flanges                    | SAE 61 (3000 PSI Series), SAE 62 (6000 PSI Series) ISO 6162, CETOP Square Flange (400 Bar series) |

**Ordering Information**

**CB**

Cartridge Manifold Block

**□**

Nominal Size

**A**

Function In – Out

**1**

Manifold for 1 Cartridge

**□**

Flange Size

**10**

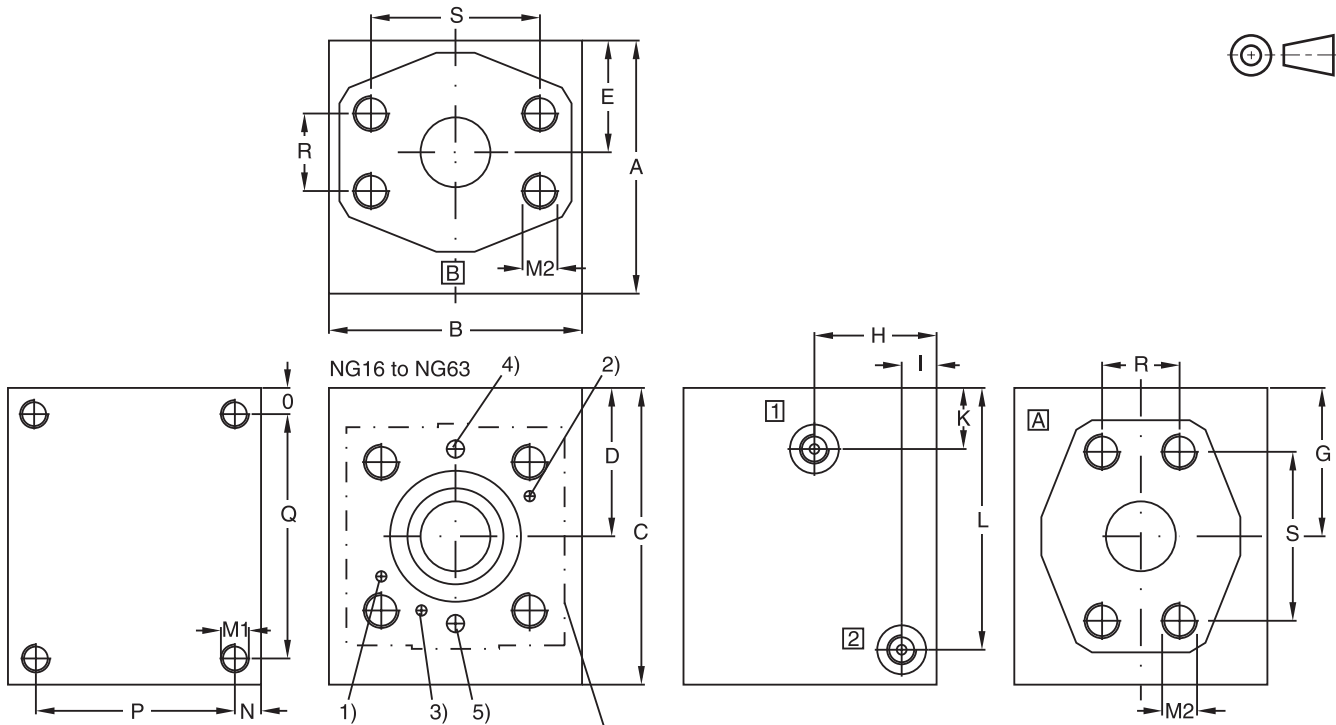
Design Series

**W**

Without Assembly

| Code | Description |
|------|-------------|
| 016  | NG16        |
| 025  | NG25        |
| 032  | NG32        |
| 040  | NG40        |
| 050  | NG50        |
| 063  | NG63        |
| 080  | NG80        |

| Code | Size    | Flange        |
|------|---------|---------------|
| 34   | 016     | 1" SAE 61     |
| 35   | 025     | 1 1/4" SAE 61 |
| 36   | 032     | 1 1/2" SAE 61 |
| 38   | 040     | 2" SAE 61     |
| 310  | 050     | 2 1/2" SAE 61 |
| 312  | 063     | 3" SAE 61     |
| 64   | 016     | 1" SAE 62     |
| 65   | 025     | 1 1/4" SAE 62 |
| 66   | 032     | 1 1/2" SAE 62 |
| 68   | 040/050 | 2" SAE 62     |
| 70   | 063     | 3 1/2" PN400  |
| 80   | 080     | 4" PN400      |



- 1) Location pin for X connected to **B** and **2**, Y connected to **A** and **1**
- 2) Location pin for X connected to **A** and **1**, Y connected to **B** and **2**
- 3) Location pin for pressure functions
- 4) X or Y, orifice/plug **1** (connected to **A** and **1**)
- 5) X or Y, orifice/plug **2** (connected to **B** and **2**)

Cover turnable by 180°

Dimensions are shown in millimeters only.

| Ordering Code       | M1       | M2     | R     | S     |
|---------------------|----------|--------|-------|-------|
| CB 016 A 1 34 10 W  | M8 x 16  | M10x20 | 26.2  | 52.4  |
| CB 016 A 1 64 10 W  | M8 x 16  | M12x19 | 27.8  | 57.2  |
| CB 025 A 1 35 10 W  | M10 x 18 | M10x20 | 30.2  | 58.7  |
| CB 025 A 1 65 10 W  | M10 x 18 | M14x22 | 31.8  | 66.6  |
| CB 032 A 1 36 10 W  | M16 x 30 | M12x24 | 35.7  | 69.9  |
| CB 032 A 1 66 10 W  | M16 x 30 | M16x32 | 36.5  | 79.3  |
| CB 040 A 1 38 10 W  | M16 x 30 | M12x24 | 42.9  | 77.8  |
| CB 040 A 1 68 10 W  | M16 x 30 | M20x40 | 44.5  | 96.8  |
| CB 050 A 1 310 10 W | M16 x 30 | M12x24 | 50.8  | 88.9  |
| CB 050 A 1 68 10 W  | M16 x 30 | M20x40 | 44.5  | 96.8  |
| CB 063 A 1 312 10 W | M16 x 30 | M16x30 | 61.9  | 106.4 |
| CB 063 A 1 70 10 W  | M16 x 30 | M20x33 | 102.5 | 102.5 |
| CB 080 A 1 80 10 W  | M16 x 30 | M24x50 | 113.2 | 113.2 |

Dimensions are shown in millimeters only.

| Ordering Code       | Max. Operating Pressure (Bar) | A     | B     | C     | D     | E     | G     | H     | I    | K    | L     | N    | O    | P     | Q     | Port A and B  | Port 1 and 2 | Orifice thread 1 and 2 | Weight (kg) |
|---------------------|-------------------------------|-------|-------|-------|-------|-------|-------|-------|------|------|-------|------|------|-------|-------|---------------|--------------|------------------------|-------------|
| CB 016 A 1 34 10 W  | 350                           | 105.0 | 80.0  | 105.0 | 38.5  | 34.0  | 38.5  | 45.0  | 13.0 | 13.5 | 75.5  | 10.0 | 10.0 | 85.0  | 85.0  | 1" SAE 61     | G1/4         | M5                     | 6.0         |
| CB 016 A 1 64 10 W  | 420                           | 105.0 | 80.0  | 105.0 | 38.5  | 34.0  | 38.5  | 45.0  | 13.0 | 13.5 | 75.5  | 10.0 | 10.0 | 85.0  | 85.0  | 1" SAE 62     | G1/4         | M5                     | 6.0         |
| CB 025 A 1 35 10 W  | 280                           | 125.0 | 100.0 | 125.0 | 50.0  | 43.0  | 50.0  | 55.0  | 15.0 | 17.0 | 94.5  | 10.0 | 10.0 | 105.0 | 105.0 | 1-1/4" SAE 61 | G1/4         | M6                     | 11.0        |
| CB 025 A 1 65 10 W  | 420                           | 125.0 | 100.0 | 125.0 | 50.0  | 43.0  | 50.0  | 55.0  | 15.0 | 17.0 | 94.5  | 10.0 | 10.0 | 105.0 | 105.0 | 1-1/4" SAE 62 | G1/4         | M6                     | 11.0        |
| CB 032 A 1 36 10 W  | 210                           | 125.0 | 125.0 | 145.0 | 72.5  | 51.0  | 72.5  | 55.0  | 15.0 | 31.5 | 125.0 | 15.0 | 15.0 | 95.0  | 115.0 | 1-1/2" SAE 61 | G1/4         | M6                     | 16.0        |
| CB 032 A 1 66 10 W  | 420                           | 125.0 | 125.0 | 145.0 | 72.5  | 51.0  | 72.5  | 55.0  | 15.0 | 31.5 | 125.0 | 15.0 | 15.0 | 95.0  | 115.0 | 1-1/2" SAE 62 | G1/4         | M6                     | 16.0        |
| CB 040 A 1 38 10 W  | 210                           | 145.0 | 145.0 | 170.0 | 85.0  | 65.0  | 85.0  | 70.0  | 20.0 | 35.0 | 150.0 | 15.0 | 15.0 | 115.0 | 140.0 | 2" SAE 61     | G3/8         | M8                     | 25.0        |
| CB 040 A 1 68 10 W  | 420                           | 145.0 | 145.0 | 170.0 | 85.0  | 65.0  | 85.0  | 70.0  | 20.0 | 35.0 | 150.0 | 15.0 | 15.0 | 115.0 | 140.0 | 2" SAE 62     | G3/8         | M8                     | 25.0        |
| CB 050 A 1 310 10 W | 172                           | 155.0 | 155.0 | 190.0 | 95.0  | 70.0  | 95.0  | 70.0  | 20.0 | 37.0 | 170.0 | 15.0 | 15.0 | 125.0 | 160.0 | 2-1/2" SAE 61 | G3/8         | M8                     | 32.0        |
| CB 050 A 1 68 10 W  | 420                           | 155.0 | 155.0 | 190.0 | 95.0  | 70.0  | 95.0  | 70.0  | 20.0 | 37.0 | 170.0 | 15.0 | 15.0 | 125.0 | 160.0 | 2" SAE 62     | G3/8         | M8                     | 32.0        |
| CB 063 A 1 312 10 W | 138                           | 192.0 | 192.0 | 240.0 | 120.0 | 86.5  | 120.0 | 86.5  | 20.0 | 45.0 | 220.0 | 15.0 | 15.0 | 165.0 | 210.0 | 3" SAE 61     | G3/8         | M8                     | 63.0        |
| CB 063 A 1 70 10 W  | 400                           | 192.0 | 192.0 | 240.0 | 120.0 | 86.5  | 120.0 | 86.5  | 20.0 | 45.0 | 220.0 | 15.0 | 15.0 | 162.0 | 210.0 | 3-1/2" PN 400 | G3/8         | M8                     | 63.0        |
| CB 080 A 1 80 10 W  | 400                           | 270.0 | 270.0 | 270.0 | 135.0 | 120.0 | 135.0 | 120.0 | 20.0 | 35.0 | 250.0 | 15.0 | 15.0 | 240.0 | 240.0 | 4" PN 400     | G3/8         | M8                     | 139.0       |

Cartridge Manifold Blocks are supplied with a set of plugs and orifices

Accessories.indd, ddp

