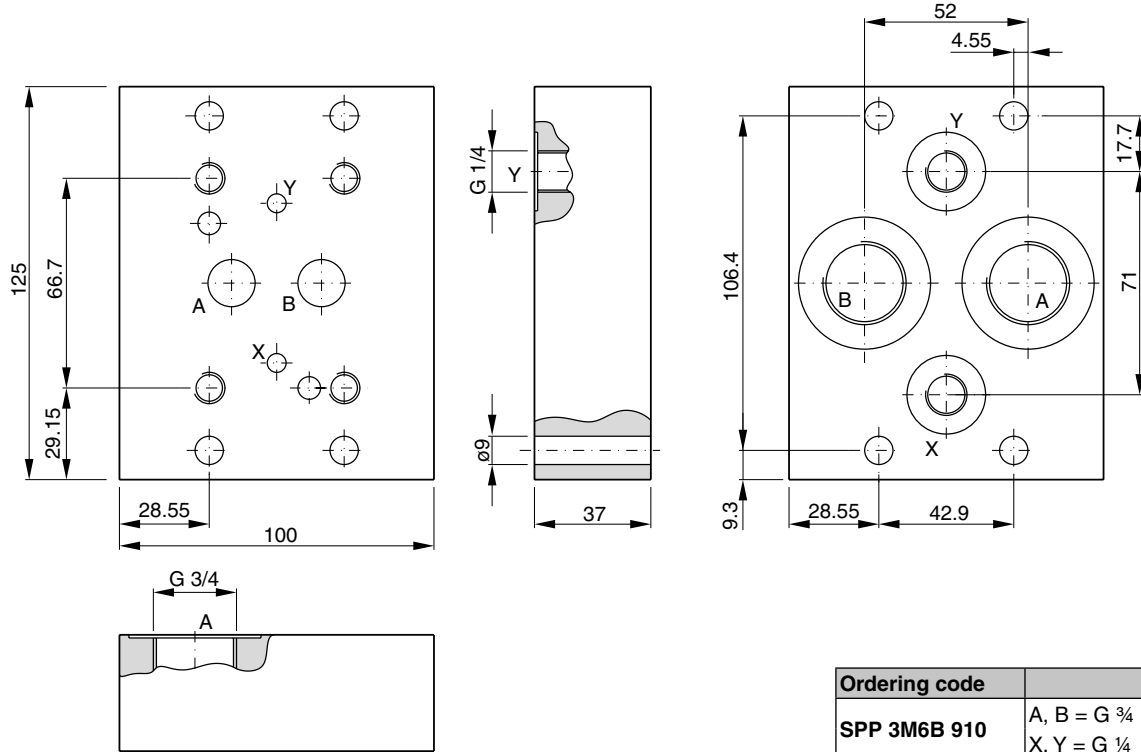


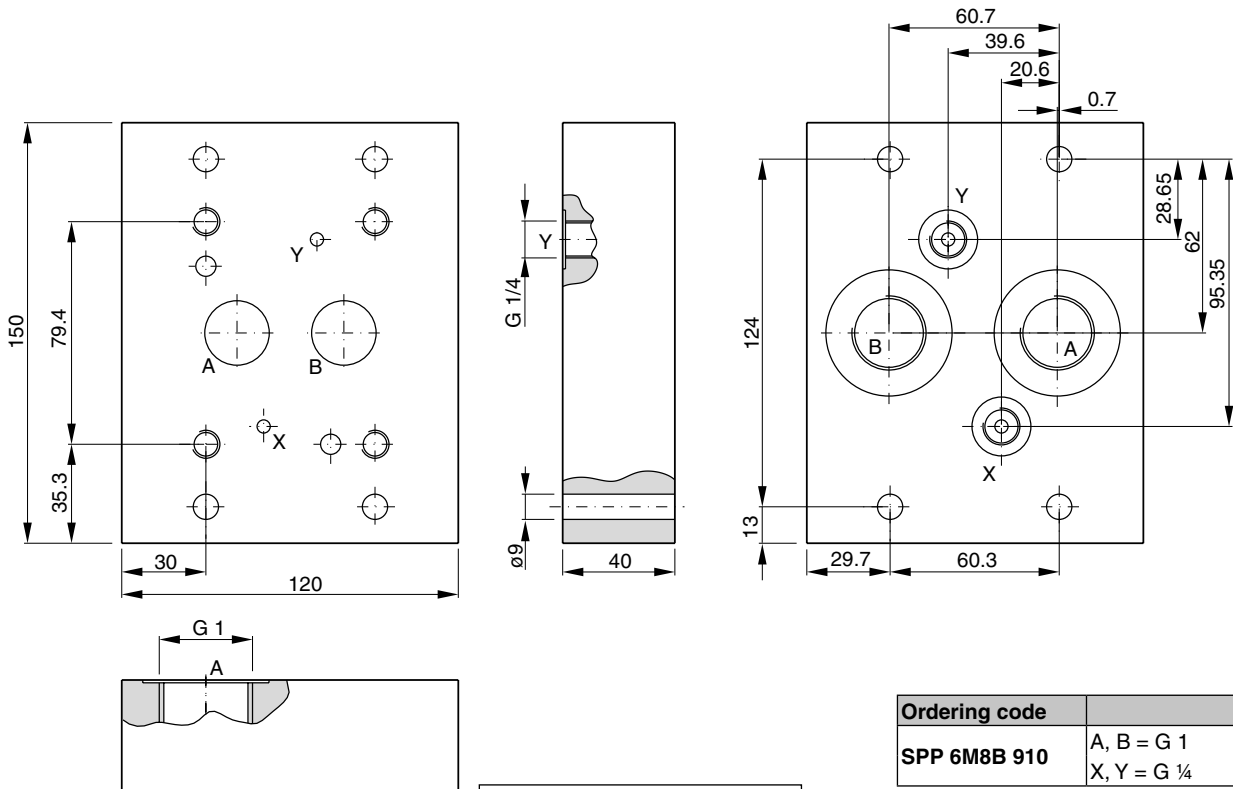
# Parker Series SPP Subplates for Pressure Valves Service Manual

Valve size DIN NG10, ISO 6264-06-07-\*-97, DIN 24340 form D / ISO 5781-06-07-0-00



Ordering code	
<b>SPP 3M6B 910</b>	A, B = G 3/4 X, Y = G 1/4

Valve size DIN NG25, ISO 6264-08-11-\*-97, DIN 24340 form D / ISO 5781-08-10-0-00

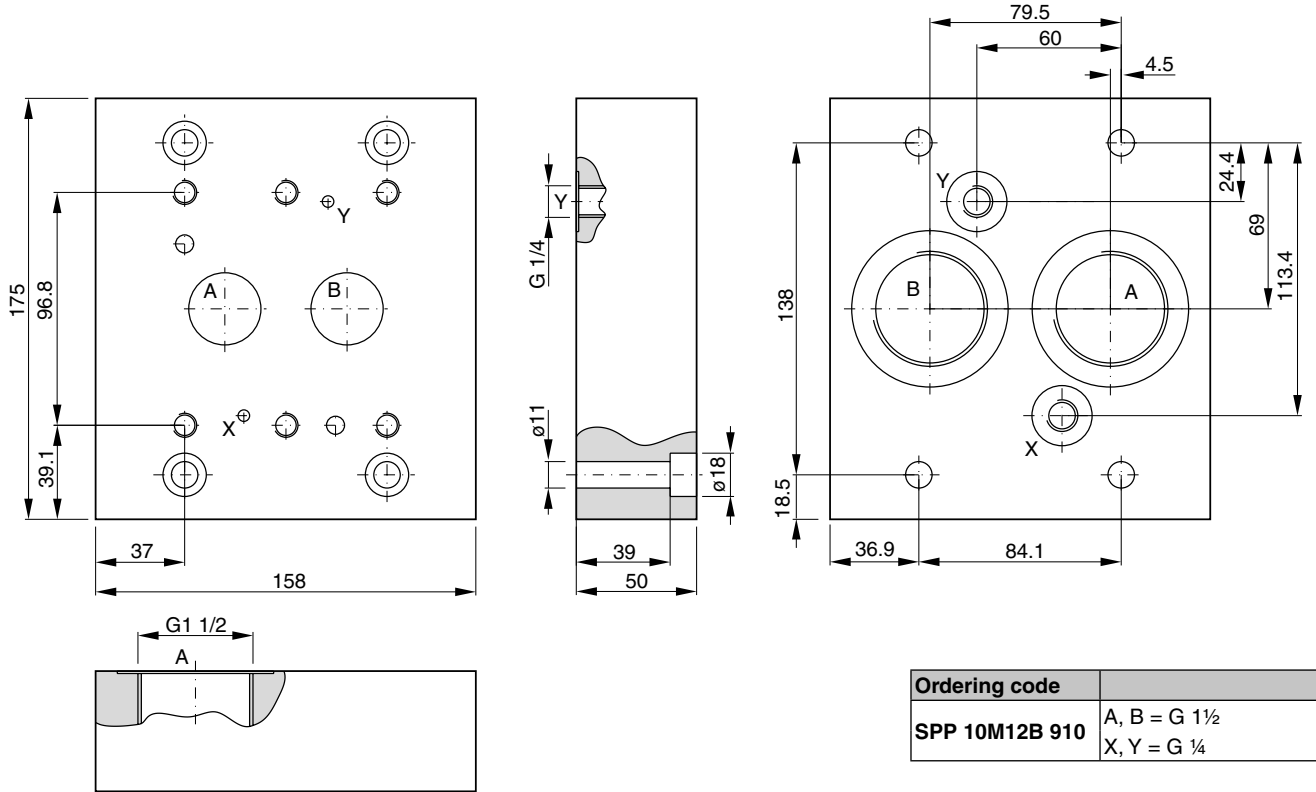


Ordering code	
<b>SPP 6M8B 910</b>	A, B = G 1 X, Y = G 1/4

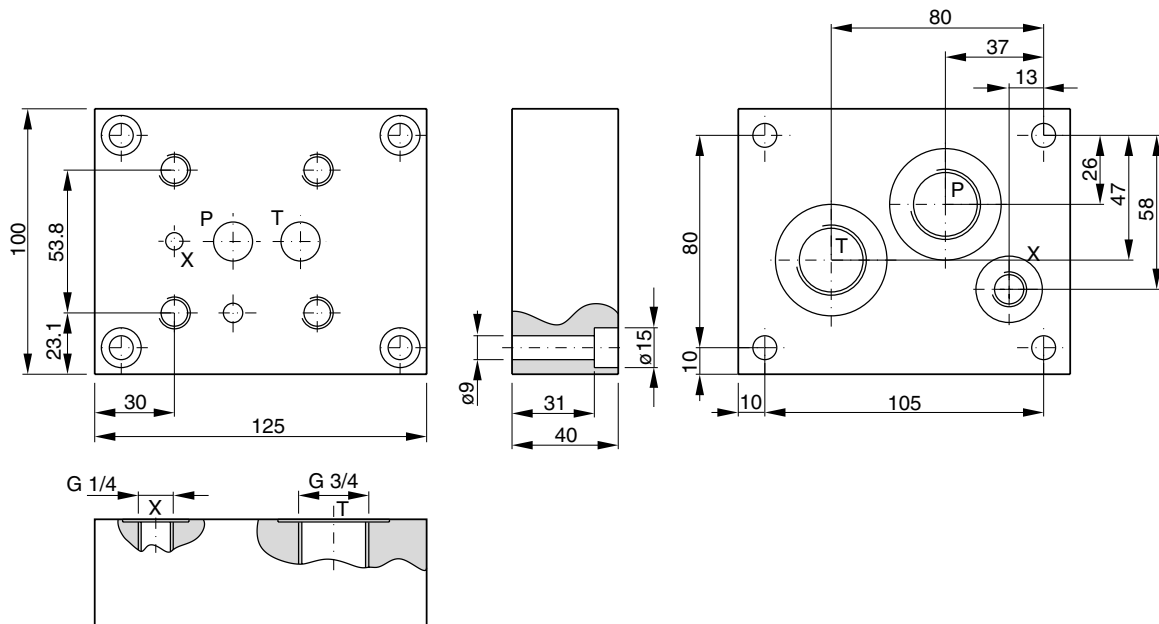
**Bold letters =**  
Short-term availability



Valve size DIN NG32, ISO 6264-10-15-\* -97, DIN 24340 form D / ISO 5781-10-13-0-00

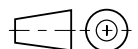


Valve size DIN NG10, ISO 6264-06-09-\* -97, DIN 24340 form E



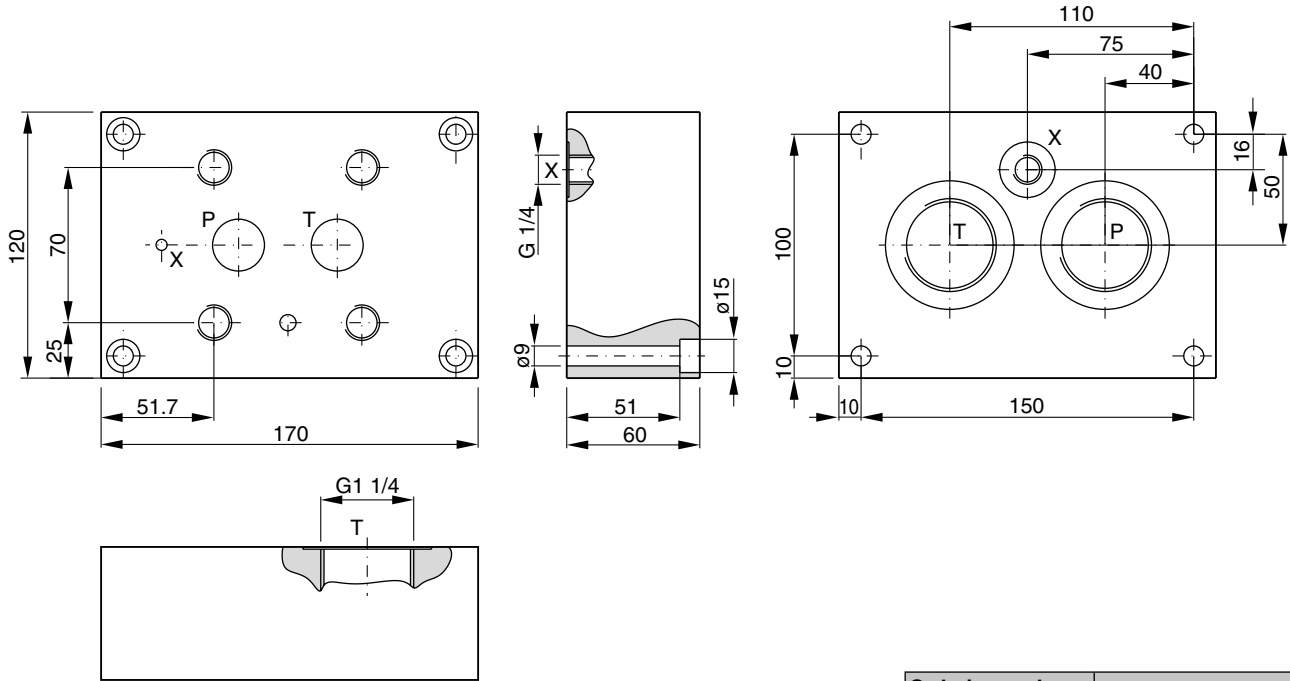
Ordering code	
<b>SPP 3R6B 910</b>	P, T = G 3/4
	X = G 1/4

**Bold letters =**  
Short-term availability



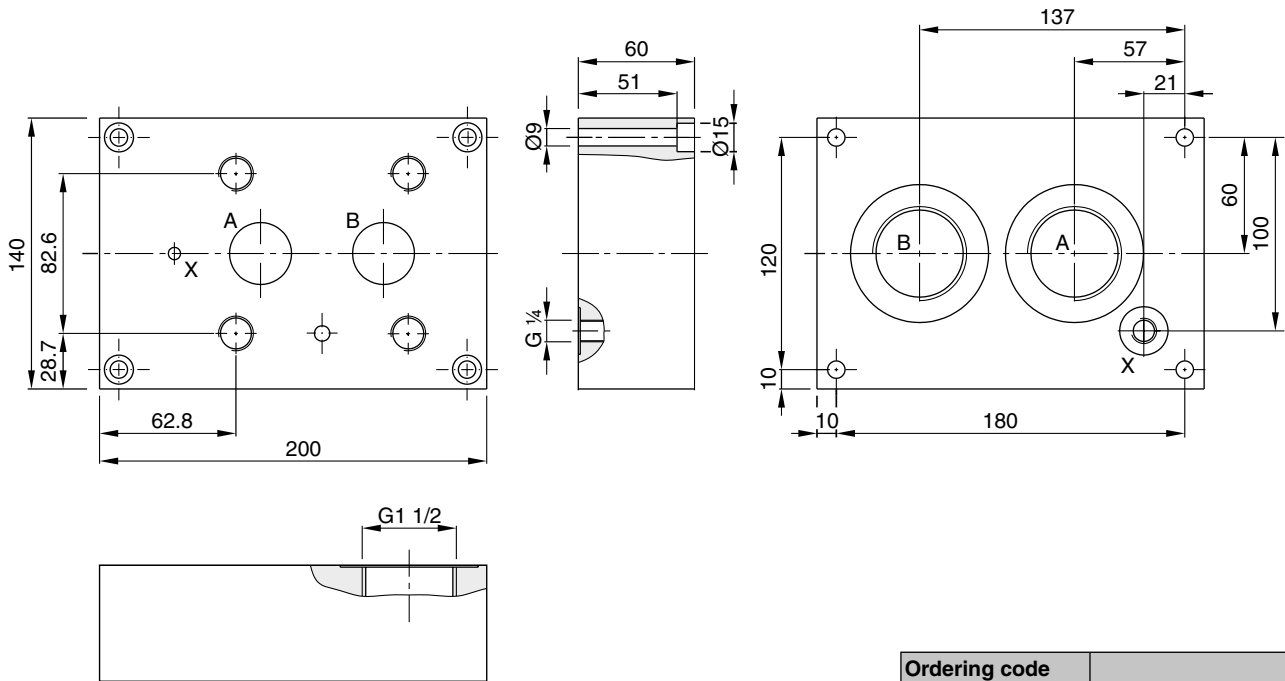
# Characteristics

Valve size DIN NG25, ISO 6264-08-13-\*-97, DIN 24340 form E



Ordering code	
<b>SPP 6R10B 910</b>	P, T = G 1/4 X = G 1/4

Valve size DIN NG32, ISO 6264-10-17-\*-97, DIN 24340 form E



Ordering code	
<b>SPP 10R12B 910</b>	A, B = G 1/2 X = G 1/4

**Bold letters =**  
Short-term availability

